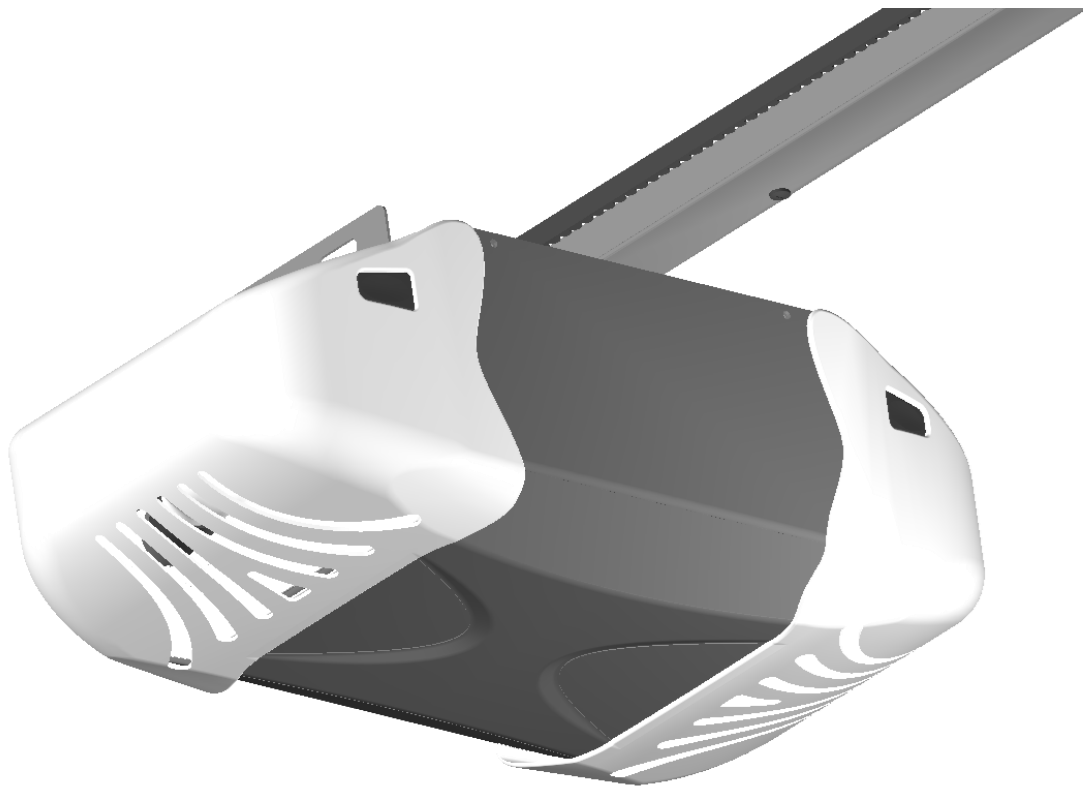


Guardian[®]

MODEL 728B PRO SERIES

WARNING:

To reduce the risk of injury to persons - Use this opener only with Residential Sectional Garage doors.



Owner's Manual

- Please read and understand this manual and safety instructions carefully before installation.
- The Opener WILL NOT CLOSE until the Photo Eye Safety System is properly installed and aligned.
- REGULARLY CHECK and TEST the Opener according to the safety label to ENSURE SAFE OPERATION.
- Retain this manual for future reference.

Serial # _____ **Date Installed** ____/____/____

Located on the label on top of your opener.

The illustrations used in this instruction manual may differ from the actual product you have purchased.

Table of Contents

Introduction

Symbols and Icons	2
Inventory	3
Read and Follow These Important Safety Instructions	4
Preparation/ Door Balance Test	5
Tools Required	5

Assembly

Assembling T-Rail	6
Tension the Belt	7

Installation

Mounting Header Bracket	8
Attaching Rail to Header Bracket and Mounting Door Bracket	9
Mounting Opener to Ceiling	10
Attaching Door Arm	11
Installing Light and Emergency Release Handle	12

Wiring

Wiring Instructions	13
Connecting Photo Eye Safety System	14
Connecting Deluxe Door Control Console	15
Connecting Power	16

Adjustment

Aligning the Photo Eye Safety System	16
Travel Limit Adjustment—I. UP Limit	17
Travel Limit Adjustment—II. DOWN Limit	18
Auto Force Adjustment	19
Final Adjustment and Testing	20

Operation

Programming Remote Control	21
Important Safety Instructions	22
Operating the Opener	23-24
Installing Portable Battery	25
Battery and Status Indicator	25
Backup Battery Features / Motion-Sensing Light	26
Maintenance / Troubleshooting	27-28

Repair Parts and Service

Installation and Accessory Parts	29
Opener Assembly parts	30

Warranty

31

Symbols and Icons



WARNING

READ WARNINGS CAREFULLY to prevent **SERIOUS INJURY** or **DEATH** caused by electrocution or mechanical hazard.



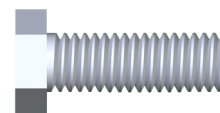
DO NOT connect power



Please connect power



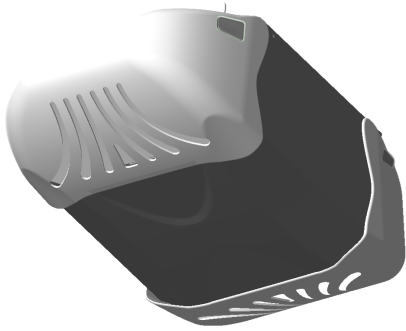
Beeps from built-in buzzer of the opener



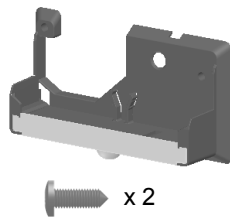
Installation hardware shown in actual size

* Optional Accessories

Inventory



Opener Unit + Light Lens



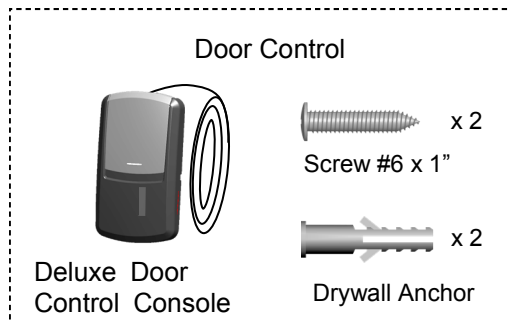
Battery holster
w/ motion-sensing light



Portable Battery



Remote Control



Deluxe Door
Control Console

Door Control



Screw #6 x 1"



Drywall Anchor

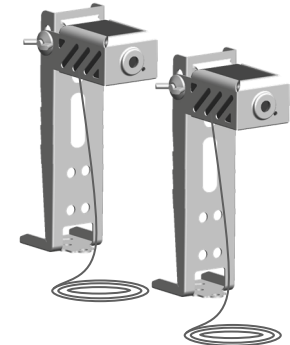


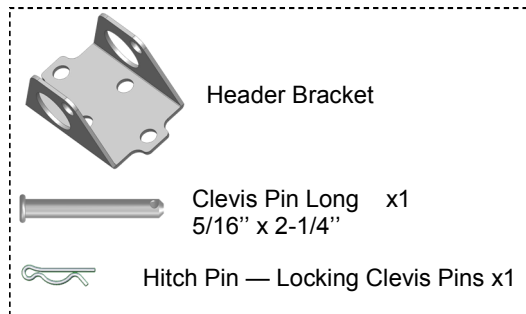
Photo Eye Safety System



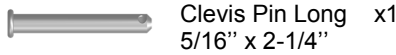
Literature + Safety Labels



Door Bracket



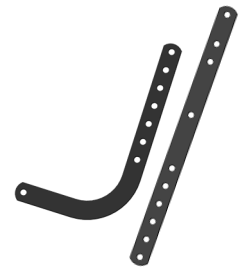
Header Bracket



Clevis Pin Long x1
5/16" x 2-1/4"



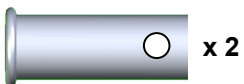
Hitch Pin — Locking Clevis Pins x1



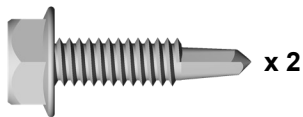
Door Arms

* Optional

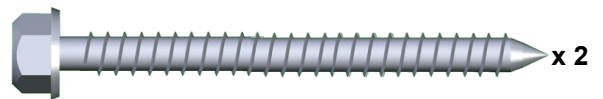
INSTALLATION HARDWARE, LOCATED IN HARDWARE BAG (SHOWN IN ACTUAL SIZE 1:1)



Clevis Pin — Door arms
5/16" x 1"



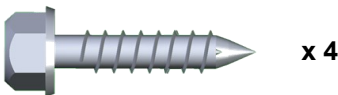
Self-Threading 1/4" x 1"
— Door Bracket



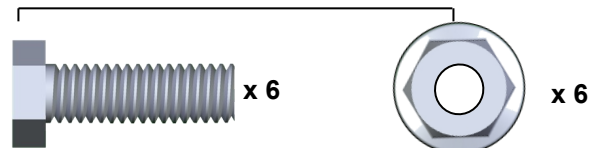
Lag Screw 5/16" x 2 1/2"
— Header Bracket / Mounting Opener



Hitch Pin
— Locking Clevis Pins



Lag Screw 1/4" x 1"
— Photo Eye System

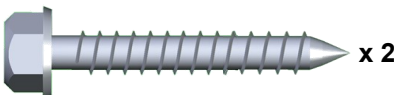


Bolt 5/16" -18 x 1"
— Door arms / Mounting Opener

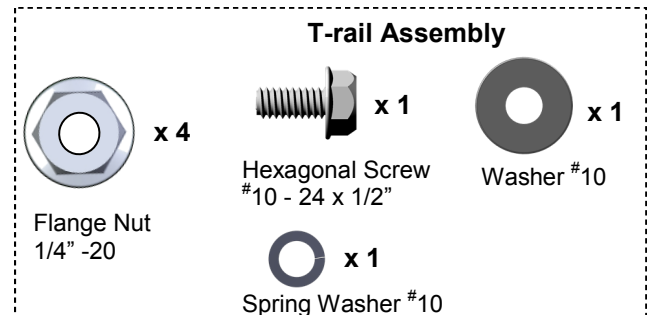
5/16" Flange Nut



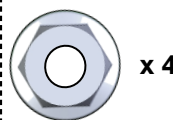
Emergency Release Handle
+ Rope



Lag Screw 5/16" x 1-5/8"
— Door Bracket / Mounting Opener



T-rail Assembly



Flange Nut
1/4" -20



Hexagonal Screw
#10 - 24 x 1/2"



Washer #10



Spring Washer #10

Read and Follow These Important Safety Instructions

IMPORTANT INSTALLATION INSTRUCTIONS

WARNING —

To reduce the risk of severe injury or death:

1. READ AND FOLLOW ALL INSTALLATION INSTRUCTIONS.
2. Install only on a properly balanced garage door. An improperly balanced door has the potential to inflict severe injury. Have a qualified service person make repairs to cables, spring assemblies, and other hardware before installing the opener.
3. Remove all ropes and remove or make inoperative all locks connected to the garage door before installing opener.
4. Where possible, install the door opener 7 feet or more above the floor. For products having an emergency release, mount the emergency release within reach, but at least 6 feet above the floor and avoiding contact with vehicles to avoid accidental release.
5. Do not connect the opener to source of power until instructed to do so.
6. Locate the control button: (a) within sight of door, (b) at a minimum height of 5 feet so small children are not able to reach it, and (c) away from all moving parts of the door.
7. Install the Entrapment Warning Label next to the wall-mount control button in a prominent location. In case the adhesive does not adhere on the surface, the label should be attached to the surface by mechanical means.



Entrapment Warning Label—Permanent attach next to wall-mounted control button

8. After installing the opener, the door must reverse when it contacts a 1-1/2-inch high object (or a 2 by 4 board laid flat) on the floor.

IMPORTANT SAFETY INSTRUCTIONS

WARNING —

To reduce the risk of severe injury or death:

1. READ AND FOLLOW ALL INSTRUCTIONS.
2. Never let children operate or play with door controls. Keep the remote control away from children.
3. Always keep the moving door in sight and away from people and objects until it is completely closed. **NO ONE SHOULD CROSS THE PATH OF THE MOVING DOOR.**
4. **NEVER GO UNDER A STOPPED, PARTIALLY OPEN DOOR.**
5. Test door opener monthly. The garage door **MUST** reverse on contact with a 1-1/2-inch high object (or a 2 by 4 board laid flat) on the floor. After adjusting either the force or the limit of travel, retest the door opener. Failure to adjust the opener properly increases the risk of severe injury or death.
6. Use the emergency release only when the door is closed. Use caution when using this release with the door open. Weak or broken springs are capable of increasing the rate of door closure and increasing the risk of severe injury or death.
7. **KEEP GARAGE DOORS PROPERLY BALANCED.** See owner's manual. An improperly balanced door increases the risk of severe injury or death. Have a qualified service person make repairs to cables, spring assemblies, and other hardware.

SAVE THESE INSTRUCTIONS.

Preparation

WARNING

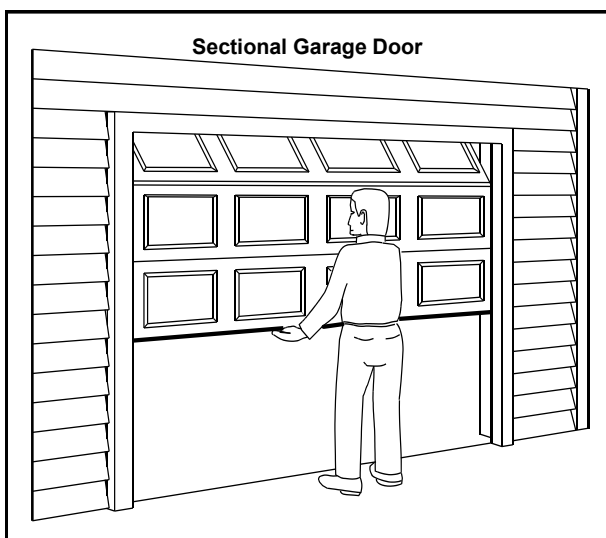
To prevent SERIOUS INJURY or DEATH:

- Before beginning installation of the Opener please complete the following test to ensure that your door is balanced and in good working condition.
- A poorly balanced door can cause serious injury and damage to the Opener.
- Always have a qualified garage door service technician make any required adjustments and/or repairs to your door before proceeding with installation.
- DISABLE ALL LOCKS and REMOVE ALL ROPES connected to the garage door BEFORE installing and/or operating the Opener.



To prevent damage to the door and Opener:

- DO NOT connect power until instructed.
- Operate this Opener with AC 120V/60Hz power supply ONLY.



BEFORE Beginning Installation:

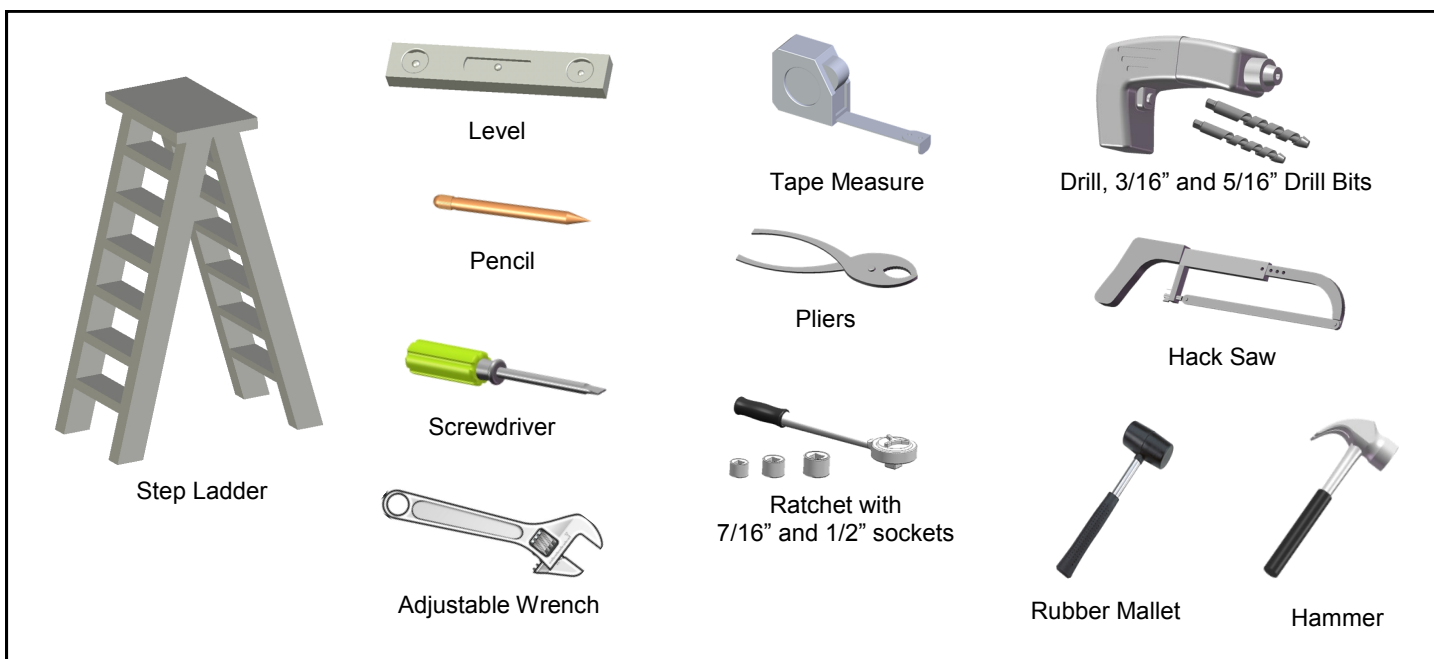
1. Disable locks and remove all ropes connected to the garage door.
2. Perform the following door test to ensure your door is balanced and in good working condition.

To Test Your Garage Door

1. Raise and lower the door to check if there is any sticking or binding.
2. Check for loose hinges, damaged rollers, frayed cables and damaged or broken springs.
3. Lift the door approximately halfway and release. The door should stay at the point under proper spring tension.

Call a qualified garage door service technician if your door binds, sticks or is unbalanced.

Tools Required



Assembling T-Rail

WARNING

To prevent SERIOUS INJURY:

- DO NOT connect power until instructed.
- Keep hands and fingers clear from sprocket during operation.
- Wear gloves when installing chain/belt and cable.
- Keep hands and fingers away from joints and possible sharp edges.



CAUTION

- DO NOT connect power until instructed.
- To prevent INJURY, keep hands and fingers away from joints and possible sharp edges.
- Wear gloves when installing chain/belt and cable.

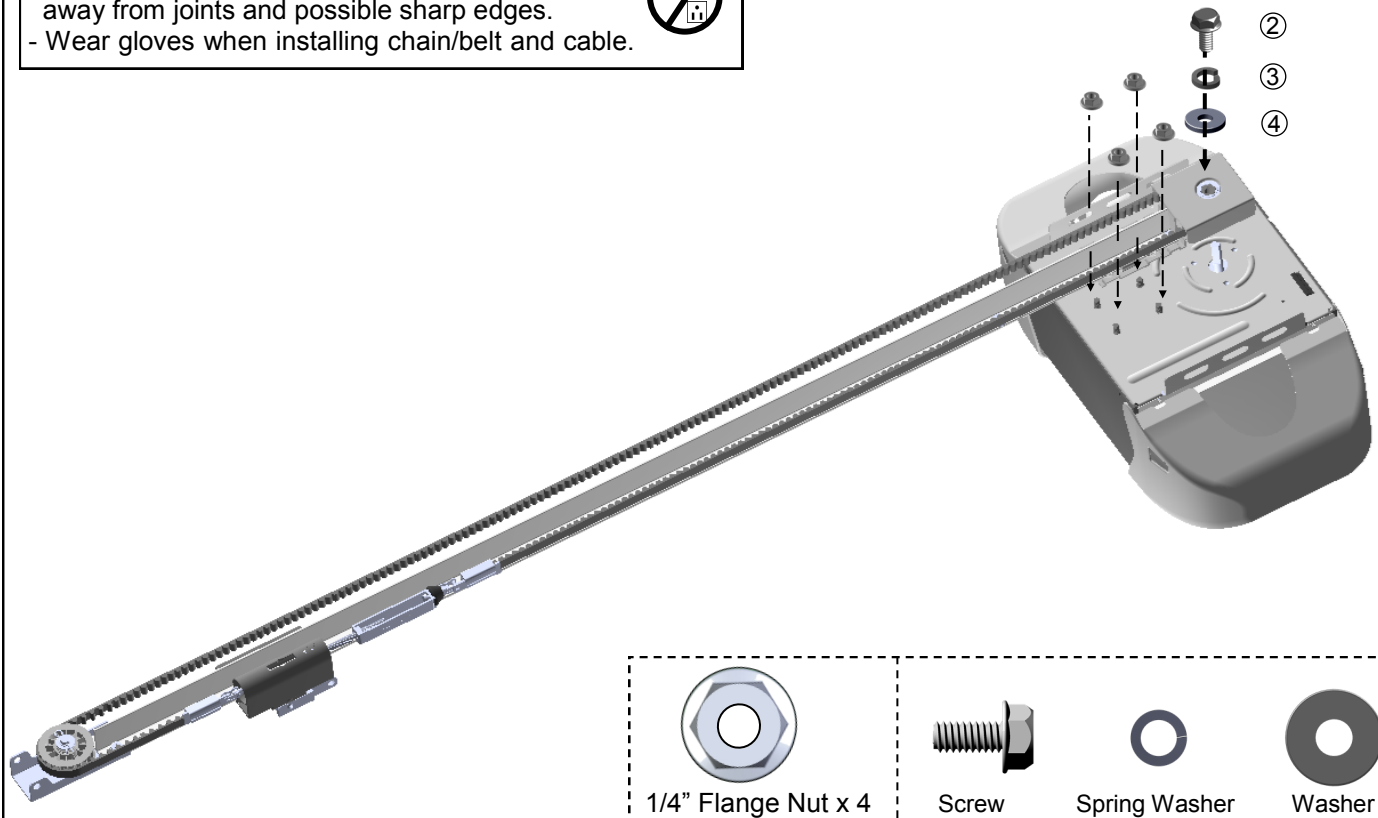


Fig.1

To Assemble the Rail

Align the pre-assembled T-rail on the top of opener in the direction as shown in Fig.1.

Secure the T-rail to the opener firmly using 1/4" flange nut x 4.

Final Step to T-Rail Installation

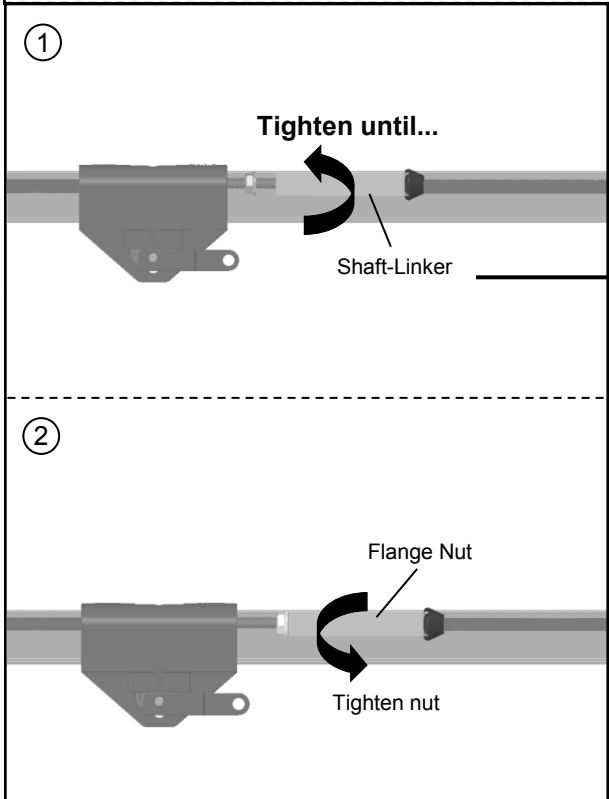
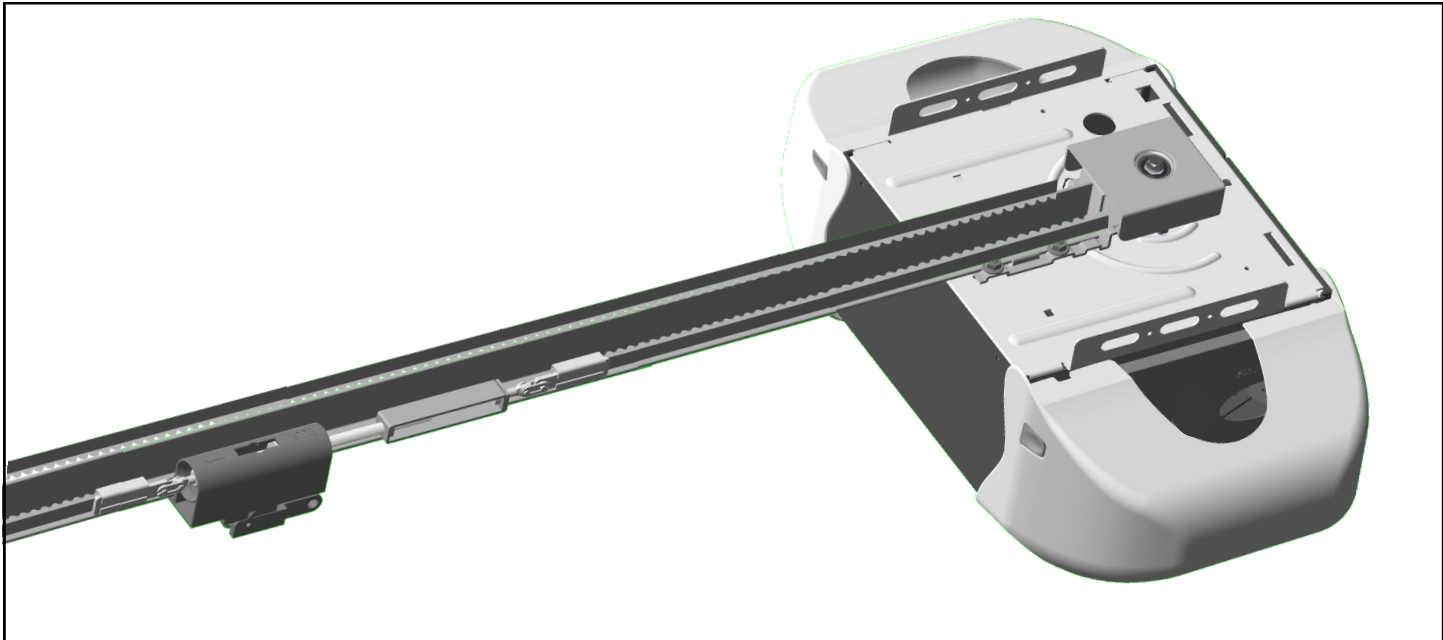
Fasten the Screw(2) to the motor shaft with spring washer(3) and washer(4) in between.

Tension the Belt / Chain

WARNING

To prevent **SERIOUS INJURY**:

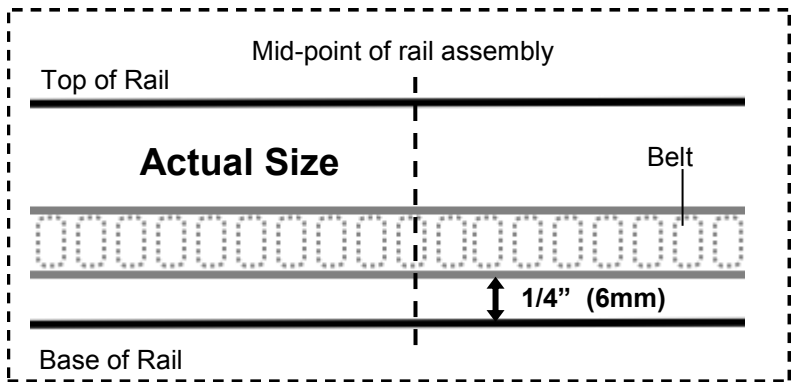
- DO NOT connect power until instructed.
- Keep hands and fingers clear from sprocket during operation.
- Wear gloves when installing chain/belt and cable.
- Keep hands and fingers away from joints and possible sharp edges.



Note: The chain or belt rail assembly comes pre-tensioned from the factory.

To Tension the Belt or Chain if Necessary

1. Rotate the Shaft Linker towards the Trolley Shaft until the belt or chain is slightly loose about 1/4" (6mm) above the base of the rail, referring to the actual-sized illustration below.



2. Tighten the Flange Nut on Trolley Shaft against the Shaft-Linker.

Mounting Header Bracket

⚠ WARNING

To prevent **SERIOUS INJURY**:

- DO NOT connect power until instructed.
- The Header Bracket **MUST** be **SECURELY** fastened to the structural support on the mounting wall or ceiling, otherwise the door may not reverse when required. DO NOT install the Header Bracket over drywall.
- Concrete anchors **MUST** be used when mounting the Header Bracket into masonry.
- **NEVER** try to loosen, move or adjust garage door springs, cables, Pulleys, Brackets, or hardware, all of which are under **EXTREME** tension.
- Contact a qualified garage door service technician if your door binds, sticks or is unbalanced. An unbalanced door might not reverse when required.

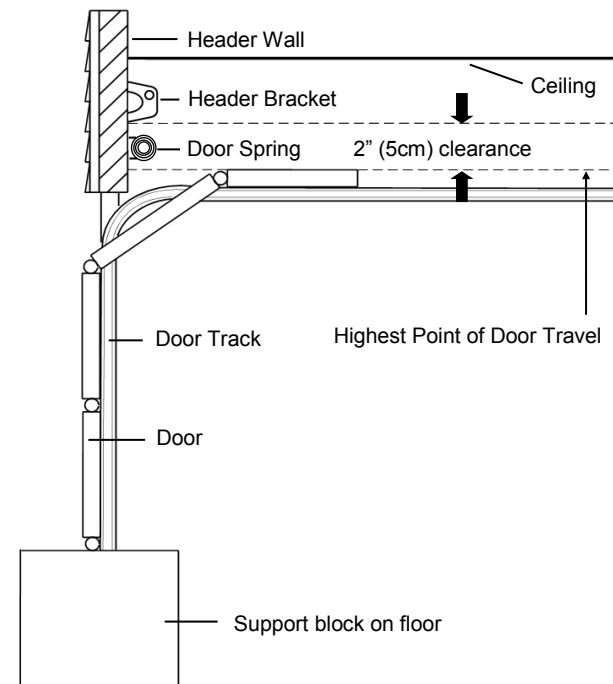


Fig.1

To Install Header Bracket

Note: Installation procedures may vary according to door type.

1. While inside your garage, close the door and mark the vertical centerline of the garage door. Extend the line onto the header wall above the door spring.
2. Open the door to the highest point of travel. Mark a line on the header wall 2" (5cm) above the highest point of travel.

Note: DO NOT install the Header Bracket over drywall. In some installations, it may be necessary to install a 2x4 across two wall studs to create a suitable location for the Header Bracket.

If installing into masonry, use concrete anchors (not provided).

Wall-Mounting

As shown in Fig.2, place the Header Bracket on the vertical centerline in direction shown.

Mark and drill two 3/16" holes. Fasten the Header Bracket securely to a structural support using two 5/16" x 2-1/2" Lag Screws.

Alternative Ceiling-Mounting

Ceiling-mounting is suggested **ONLY** when clearance is minimal.

Extend the vertical centerline onto the ceiling as shown in Fig.3. Center the Header Bracket on the vertical mark, no more than 6" (15cm) from the header wall. Mark and drill holes to fasten the Header Bracket securely to a structural support.

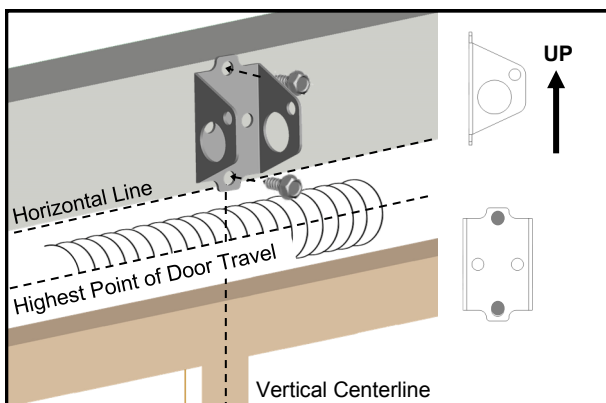


Fig.2 (Wall-Mounting)

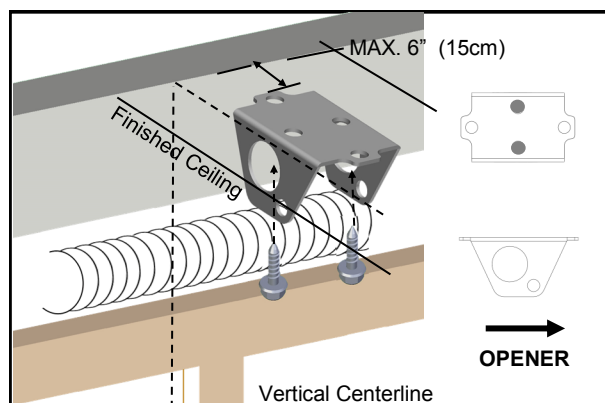
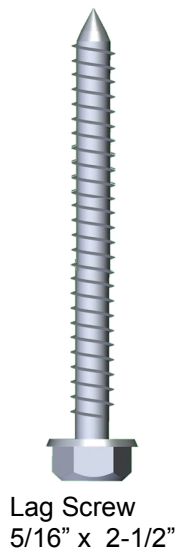


Fig.3 (Ceiling-Mounting)



Attaching Rail to Header Bracket and Mounting Door Bracket

CAUTION

To prevent SERIOUS INJURY:

- DO NOT connect power until instructed.
- REINFORCEMENT IS REQUIRED for fiberglass, aluminum or lightweight steel garage doors BEFORE installing the door Bracket. **Contact your door manufacturer for top struts and reinforcement options.**

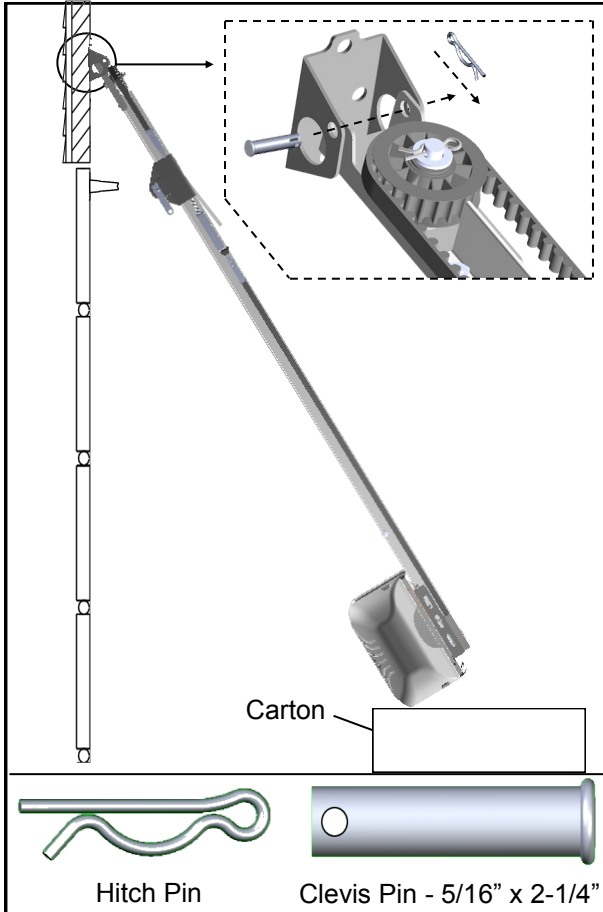


Fig.1

To Attach the Opener to the Header Bracket

1. As shown in Fig.1, use the packaging carton as temporary support for the Opener. Place the Opener on carton to prevent damage.
2. Align the mounting hole on the header rail to the mounting hole on the Header Bracket.
3. Connect the Header Rail and the Door Bracket together with a 5/16" x 2-1/4" Clevis Pin and lock it in place with a Hitch Pin.

To mount the Door Bracket

Note: Some door reinforcement kits may provide direct attachment of the door arm to the reinforcement bracket. If you have a door reinforcement bracket with this option, skip this step and proceed with the next step "Mounting Opener to Ceiling".

1. Position the Door Bracket on the centerline of the door approximately 2" - 4" (5-10cm) below the top edge of the door, as shown in Fig.2.
2. Depending on the construction of your door, install using one of the steps shown in Fig. 3 below:

For steel / lightweight doors with vertical steel reinforcements / factory reinforced.

(a) Mark and drill two 3/16" holes. Make sure not to drill through the garage door. Secure the Door Bracket with two 1/4" x 1" Self-Threading Screws (provided) as shown in Fig.3(a).

(b) Alternative installation: Drill two 5/16" holes through the door. Secure the Door Bracket using two 5/16" Bolts, lock washers and nuts (not provided) as shown in Fig.3(b). The length of bolts will depend on the thickness of your door.

Wood door

(c) Mark and drill two 5/16" holes through the garage door. Secure the Door Bracket using two 5/16" carriage bolts, washers and nuts (not provided) as shown in Fig.3(c). The length of bolts will depend on the thickness of your door.

Note: DO NOT use Self-Threading Screws on a wood door.

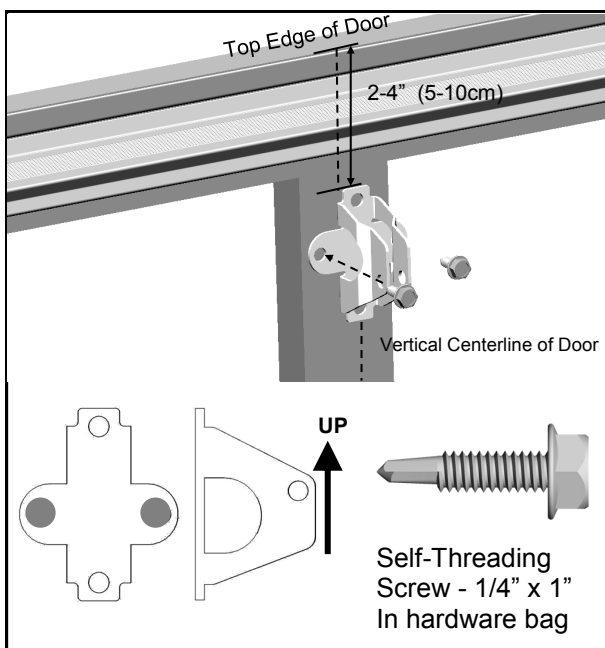


Fig.2

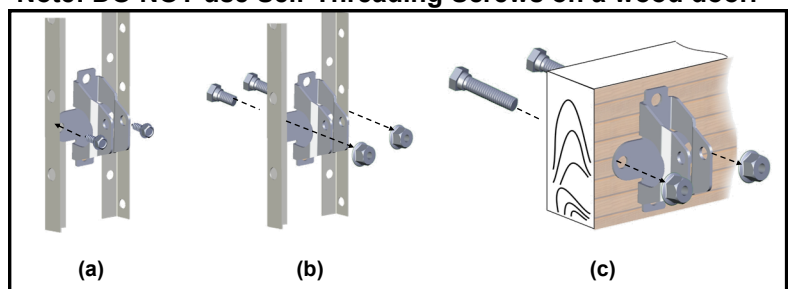


Fig.3

Mounting Opener to Ceiling

WARNING

To prevent SERIOUS INJURY or DEATH:

- DO NOT connect power until instructed.
- Install the Opener at least 7 feet (2.13m) above the floor.
- Fasten the Opener SECURELY to STRUCTURAL SUPPORTS of the garage to prevent falling.
- If installing Brackets to masonry, concrete anchors (not provided) MUST be used.

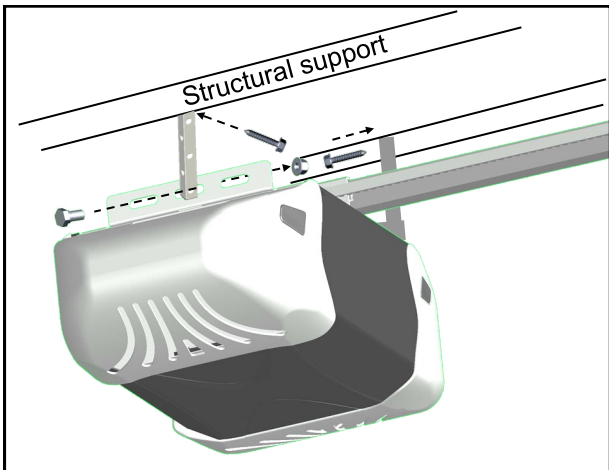


Fig.1

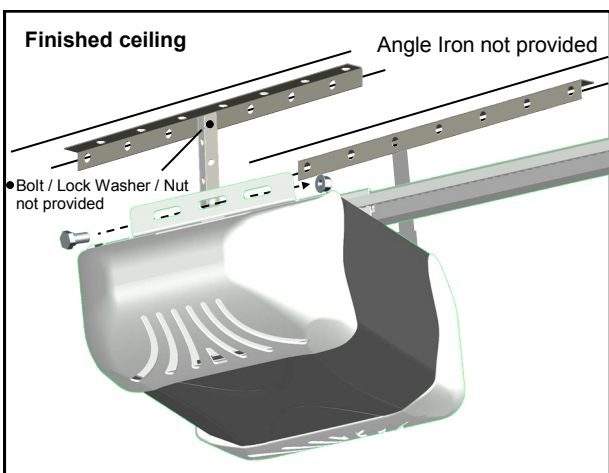


Fig.2

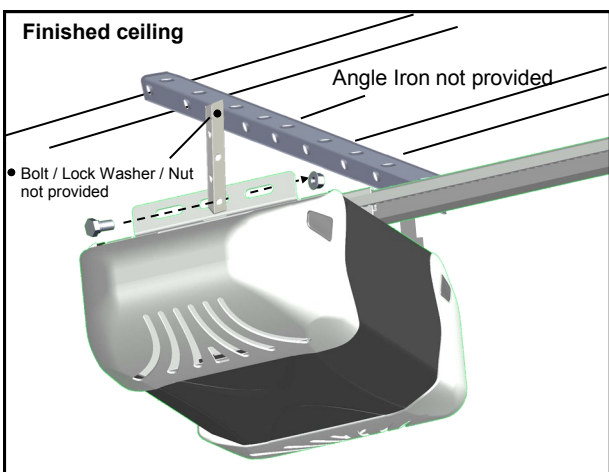


Fig.3

To Mount the Opener to Ceiling

The three most common installation options are shown in Fig.1-3.

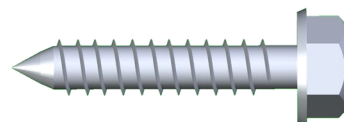
Fig.1 shows mounting the Opener directly to structural support on the ceiling. Fig.2 and 3 show mounting on a finished ceiling, with heavy duty angle iron*.

*(angle iron not included)

Determine the mounting option that works best for your application and follow installation steps below:

1. Raise the Opener and rail assembly and temporarily place it on a stepladder.
2. Position the Opener and rail assembly so that it is aligned to the center line of the garage door. If the Header Bracket was mounted off center, align the Opener with the Header Bracket.
3. Measure the distance from each side of the Opener to the structural supports.
4. Cut both Hanging Brackets* to appropriate length
*(Hanging Bracket not included)
5. Drill 3/16" holes in the structural supports.
6. Secure one end of each of the Hanging Brackets to the structural supports using 5/16"-18x1" Lag Screws (provided).
7. Secure the Opener to the Hanging Brackets and secure each side with a 5/16"-18x1" Bolt and Flange Nut (provided).
8. Move the door manually to check clearance between highest point of travel of the door and rail. If the door hits the rail, raise the Header Bracket or adjust the mounting of Opener.
9. Remove the ladder ONLY when the Opener is securely mounted to the structural supports.

Fastening Hanging Brackets to structural supports

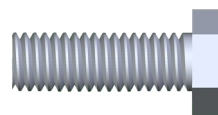


Lag Screw 5/16" x 1-5/8"

Securing Opener to Hanging Brackets



5/16" Flange Nut



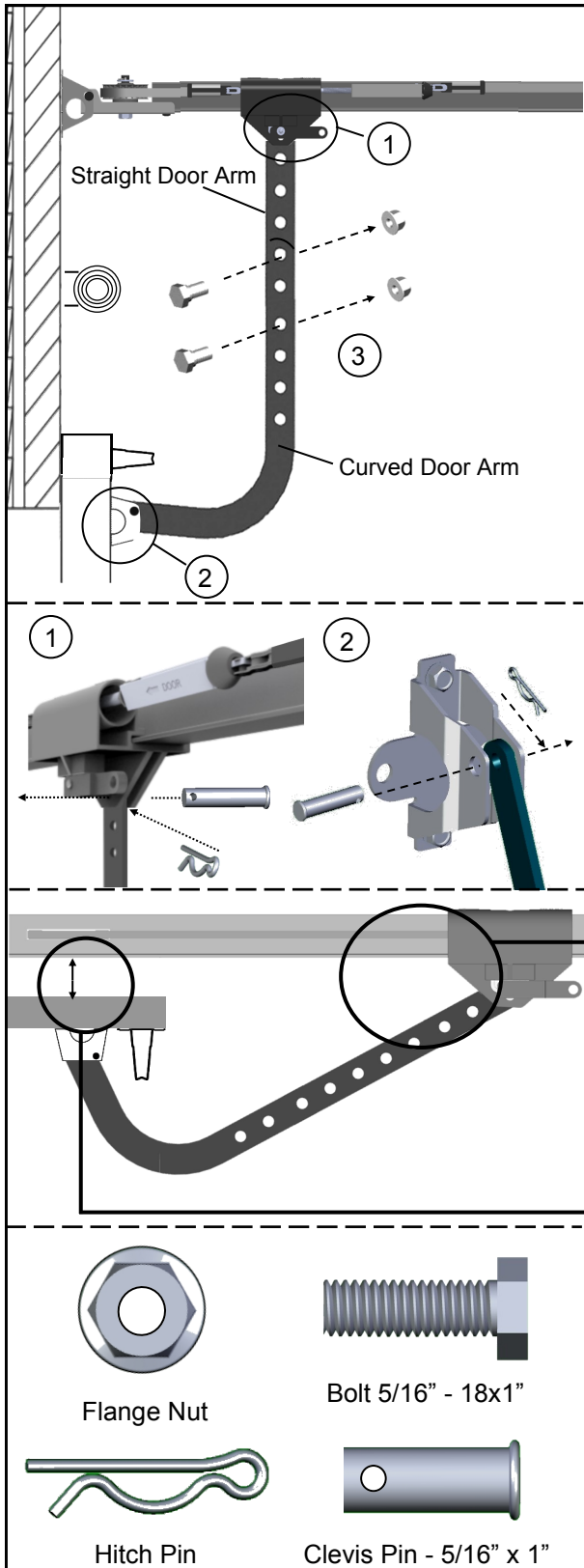
Bolt 5/16" - 18 x 1"

Attaching Door Arms

⚠ WARNING

To prevent **SERIOUS INJURY**:

- DO NOT connect power until instructed.
- Keep hands and fingers away from the sprocket during operation.
- Wear gloves when installing chain/belt and cable.
- Keep hands and fingers away from joints and possible sharp edges.



NOTE: The straight door arm must be installed vertically to the door or slightly angled back to the operator head less than 20 degrees when door is at closed position.

To Connect Door Arm

Follow the steps shown in Fig. 1

1. Fasten the Straight Door Arm to the Trolley with a 5/16" - 18 x 1" Clevis Pin and lock it with a Hitch Pin.
2. Fasten the Curved Door Arm to the Door Bracket with 5/16" - 18 x 1" Clevis Pin and lock it with a Hitch Pin.
3. To connect the door arms together, choose two pairs of holes which are as far apart as possible. Fasten the arms using two 5/16" - 18 x 1" Bolts and Flange Nuts.

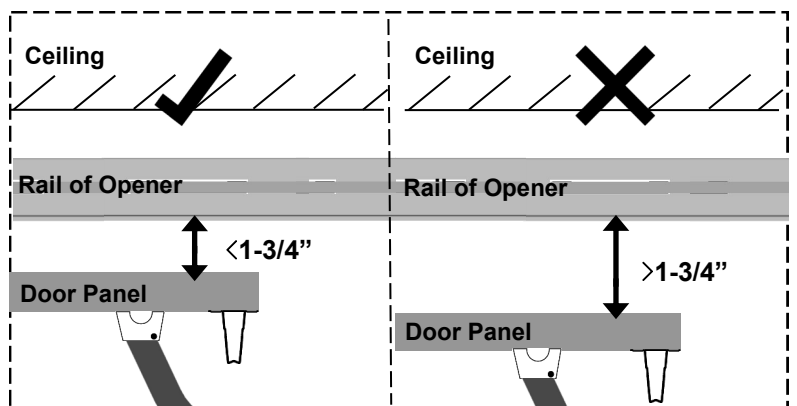
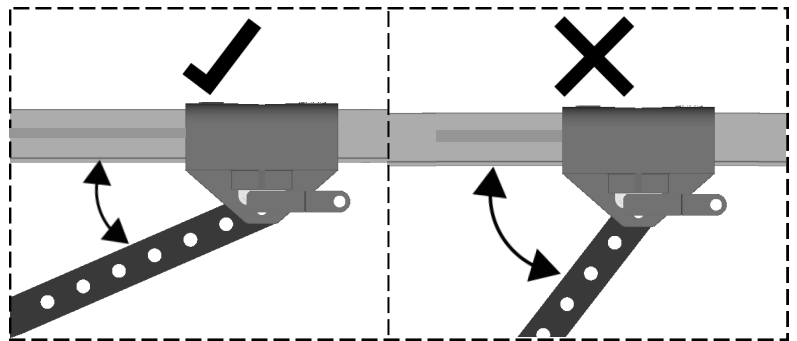


Fig.1

Installing Light and Emergency Release Handle

WARNING

To prevent SERIOUS INJURY or DEATH from electrocution:

- Disconnect power cord before installing/replacing light bulb.

To prevent possible OVERHEATING or damage to Opener:

- Use ONLY A19 (E26) incandescent bulbs (100W max.).

- DO NOT use short neck or specialty light bulbs.

- DO NOT use halogen bulbs.

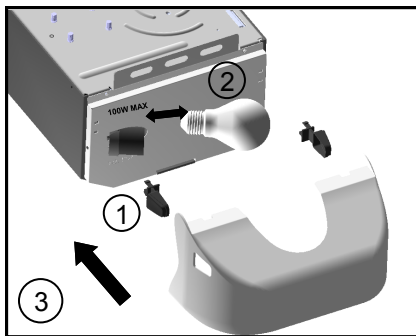


Fig.1

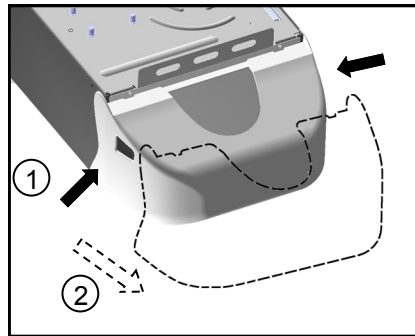


Fig. 2

To install light bulb as shown in Fig.1:

1. Attach two clips to the lamp plate.
2. Install a standard A19 (E26) 100 watt maximum light bulb.
3. Attach the Light Lens.

To replace light bulb as shown in Fig.2:

1. Press the release buttons and detach it from the Opener.
2. Replace light bulb and reattach the Light Lens.

Notice

When replacing the light bulb, make sure the bulb on the Opener has cooled down to prevent injury.

WARNING

To prevent SERIOUS INJURY or DEATH from a falling garage door:

- In case of power failure or door obstruction, PULL EMERGENCY HANDLE to release door from Opener.

- When Emergency Release is in the released position, the door can be operated manually.

- To reconnect, flip the lever on the Trolley towards Opener, back to Connect position, it will reconnect automatically upon pressing Push Button or Remote Control.

- DO NOT use Emergency handle to pull the door open or closed.

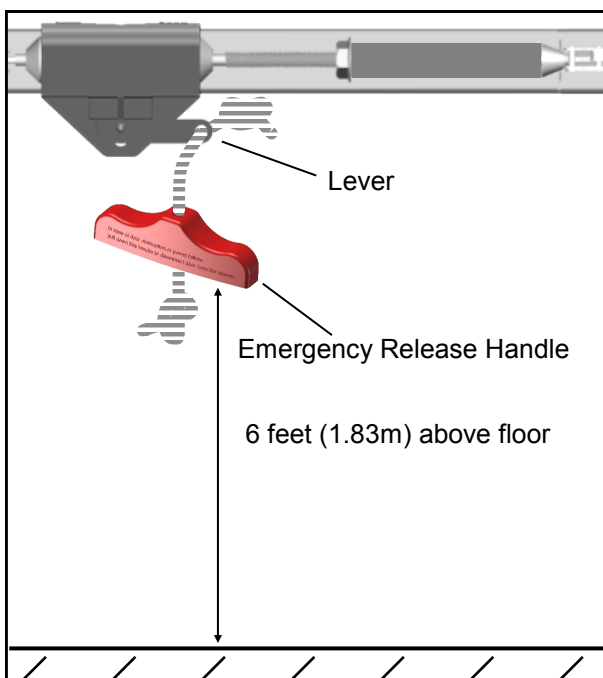


Fig. 2

Safety Notice

Mount the emergency release within reach, but at least 6 feet above the floor and avoiding contact with vehicles to avoid accidental release.

To attach the Emergency Release Handle:

1. Thread one end of the rope through the hole of the Emergency Release Handle and secure with an overhand knot.
2. Thread the other end of the rope through the hole in the Trolley lever.
3. Measure the rope length so that the handle is 6 feet (183cm) above the floor and is clear from the top of your vehicle. Secure with a overhand knot.

Wiring Instructions

WARNING

To prevent SERIOUS INJURY or DEATH from electrocution:

- Power **MUST NOT** be connected until instructed.
- **NO** exposed part of the wire should be visible outside of the terminal for proper connection.

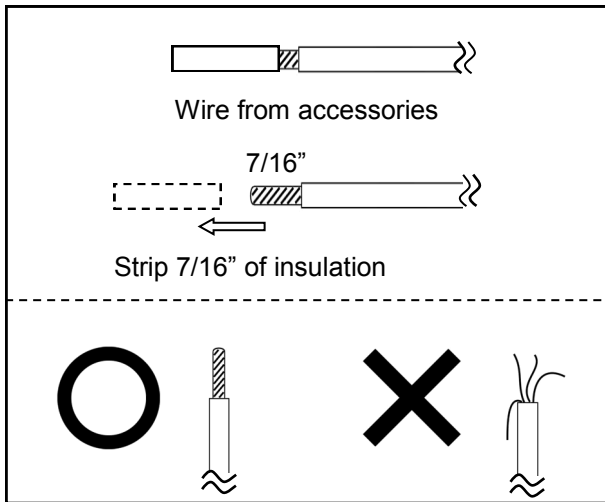


Fig. 1

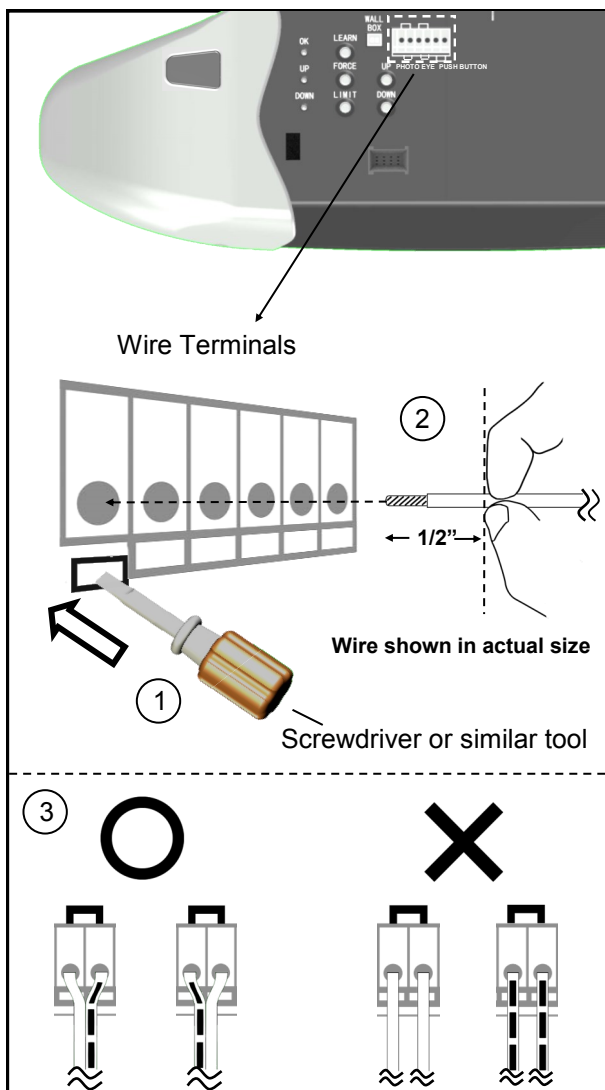
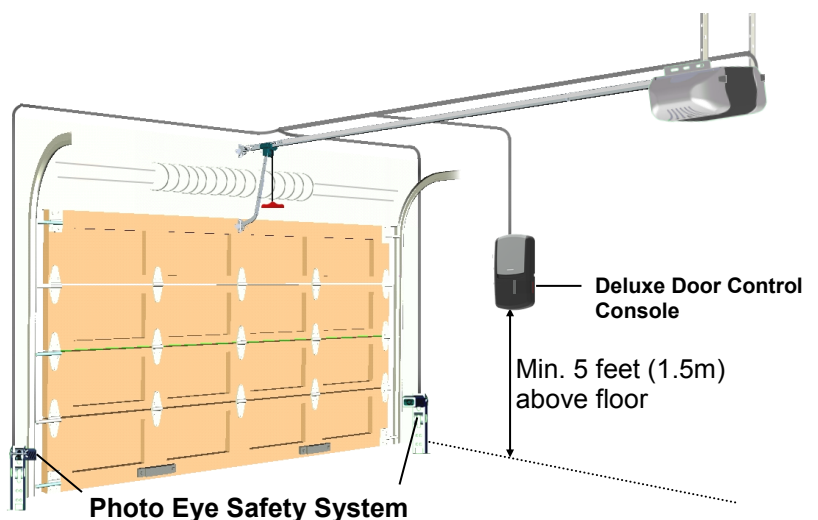


Fig. 2

In the following section, the **Photo Eye Safety System** and **Deluxe Door Control Console** will be connected to the **Opener**. Please read and understand the wiring instructions before connecting wires.

1. Strip 7/16" (11mm) of insulation from each set of wires. Wires **MUST NOT** be frayed and/or twisted as shown in Fig.1.
2. To connect a wire to an assigned terminal, use a small "flat head" screwdriver to push in the orange tab on the Wire Terminal as shown in Fig.2.
3. Insert approximately 1/2" (13mm) of the wire into the terminal while pushing in the tab as shown in Fig.2.
4. Each accessory requires a pair of terminals. Each pair of terminals **MUST** be connected with one white wire and one striped wire (non-polarized) from the **SAME** accessory as shown in Fig.2. **DO NOT TWIST WIRES TOGETHER, USE ALL 4 TERMINALS.**
5. Check for proper connection by gently pulling on the wire. The wire should not come out of the terminal. **NO** exposed part of the wire should be visible outside of the terminal.
6. Secure the wires to the wall and/or ceiling using insulated staples. Be careful not to damage the wires while securing the staples.



Connecting Photo Eye Safety System

WARNING

To prevent **SERIOUS INJURY** or **DEATH** from electrocution:

- Power **MUST NOT** be connected **BEFORE** Photo Eye Safety system is connected and aligned.
- The Opener will not operate until the Photo Eye Safety System is properly connected and aligned.
- Install the Photo Eyes **NO** higher than 6" (15cm) above the floor.



No part of garage door or other objects should obstruct the Photo Eye Safety System during door-closing.

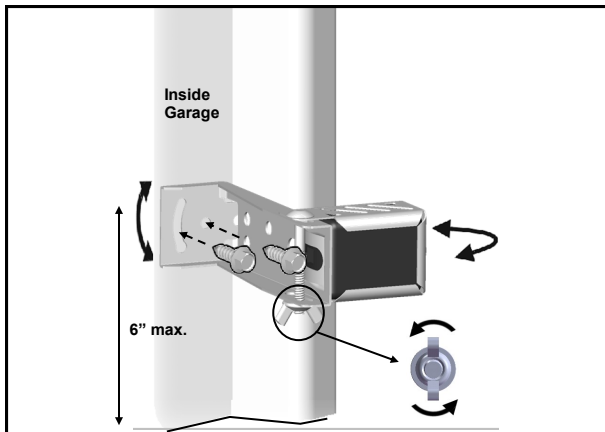


Fig. 1 (Wall Mount)

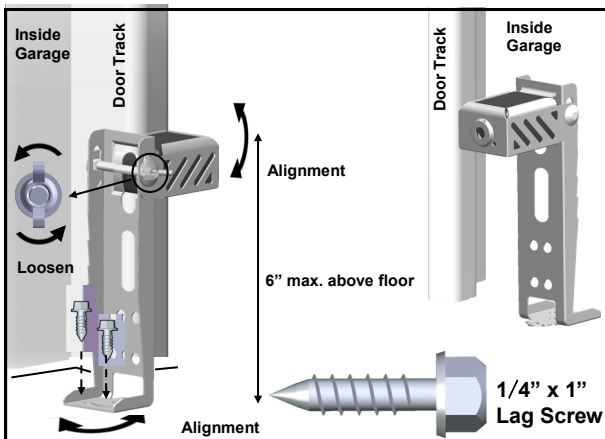


Fig. 2 (Floor Mount)

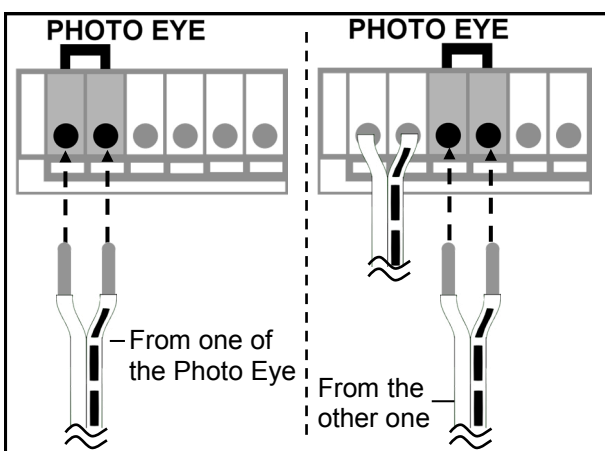


Fig. 3

About the Photo Eye Safety System

The Photo Eye Safety System provides protection against entrapment while the door is closing. When properly connected and aligned, the emitter Photo Eye emits an invisible infrared light beam while the Sensor Photo Eye monitors that beam.

If the beam is obstructed during door-closing, the entrapment protection will be triggered and the door will stop and reverse to the open position. The courtesy light will flash for 30 seconds indicating an obstruction.

Installing The Photo Eye Safety System

Wall-mounting

1. Place the Photo Eyes facing each other on each side of the garage door. Position the sensors so they are no higher than 6" (15cm) above the floor, as shown in Fig.1.
2. Drill 3/16" holes using the mounting holes on the Bracket as a template. Secure with 1/4" x 1" Lag Screws (provided).
3. If necessary use the Optional Wall-mount Position (Fig.1) to better fit your door-track and improve obstacle avoidance. To adjust the position, loosen the wing nut, disassemble the Bracket and move the Photo Eye to the lower position on the holder.
4. If necessary, align the Photo Eyes by loosening the wing nut. (This step may be further required in **Aligning the Photo Eye Safety System** on page 15.)

Alternative Floor-mounting

1. Place the Photo Eyes facing each other on each side of the garage door, as shown in Fig.2.
2. If attaching to concrete, secure the photo eyes using concrete anchors and bolts (not provided).
3. If necessary, align the Photo Eyes by loosening the wing nut. (This step may be further required in **Aligning the Photo Eye Safety System** on page 15.)

To Connect Photo Eye Safety System

1. Connect a pair of wires from either one of the Photo Eyes to a pair of "PHOTO EYE" terminals on the rear of the Opener as shown in Fig. 3. Refer to **Wiring Instructions** on page 12 for proper connections.
2. Repeat above step to connect the other Photo Eye.
3. Refer to **Wiring Instructions** on page 12 to ensure wires are connected properly.

Connecting Deluxe Door Control Console

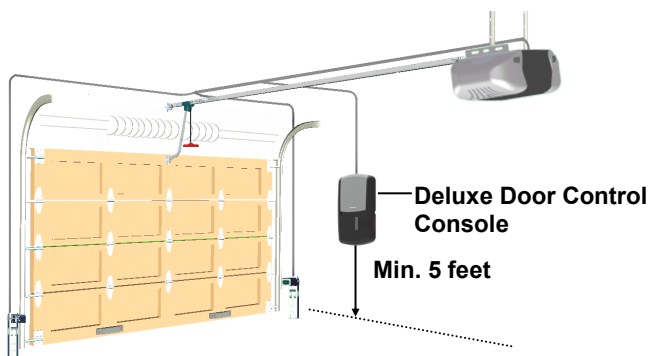
WARNING

To prevent **SERIOUS INJURY** or **DEATH** from electrocution:

- Power **MUST NOT** be connected until instructed.

To prevent **SERIOUS INJURY** or **DEATH** from using the Deluxe Door Control Console or Push Button and a closing door:

- Install the Deluxe Door Control Console or Push Button within sight of the door at a minimum height of 5 feet (1.5m) above the floor. Make sure it is out of the reach of children and moving parts of door and hardware.
- **NEVER** permit children to access the Deluxe Door Control Console, Push Button or Remote Controls.
- Operate the door **ONLY** when it is adjusted properly with no obstructions present and is in clear sight.
- **ALWAYS** keep a moving door in sight until it's completely closed.
- **NEVER** cross the path of a moving door.



The Deluxe Door Control Console is a wired, illuminated door control placed inside your garage.

To install the Deluxe Door Control Console:

1. Connect the plug from the bell wire bundle to the "Wall Panel" outlet on the rear of the motor head, as shown in Fig. 1. Run the bell wire up, along the ceiling and down to the control console installation location.
2. Strip the wire and connect the white wire to the U+ terminal and striped wire to U-. (The connection is polarized.)
3. Lift the large actuator cover on door the control console and the upper screw post is exposed.
4. Position the deluxe door control console at minimum height of 5 feet (1.5m) above the floor to keep out of the reach of children, within sight of door and free from any moving parts on the door.
5. Mark the position of both upper screw post and lower screw hole on the deluxe door control console.
6. See Fig. 2. Fasten the bottom screw to a solid surface with 1-3/8" screws. If attaching to drywall or other hollow surface, drill 3/16" holes and use the provided Drywall Anchors.
7. Align the bottom hole with the bottom screw, slide the door control down into place.
8. Repeat #4 to secure the deluxe door control console with the upper screw.
9. Flip down the actuator cover back into place.

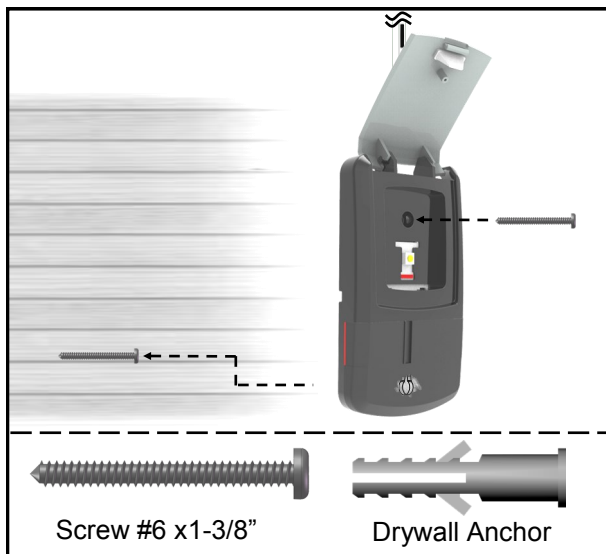


Fig. 2

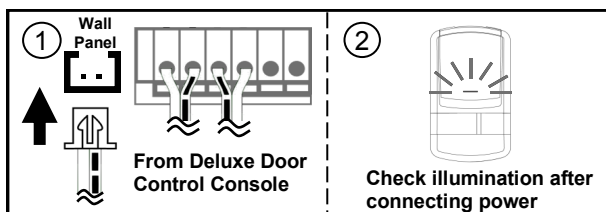
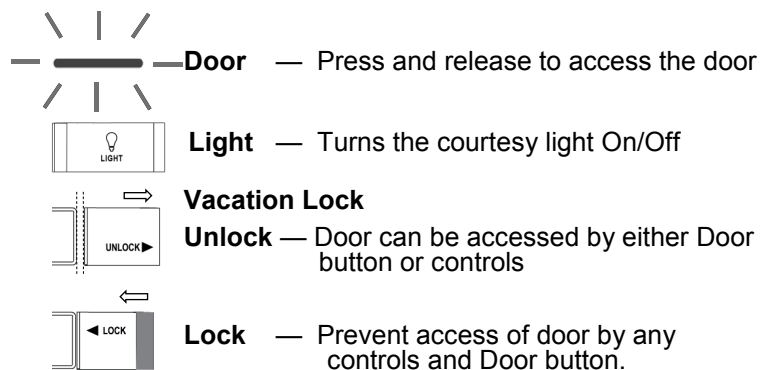


Fig. 1

Fig. 3

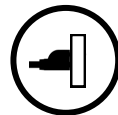


Connecting Power

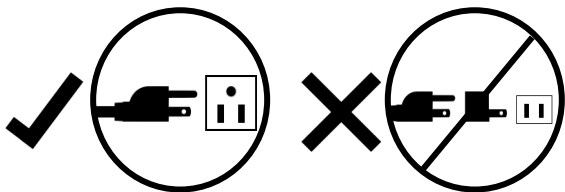
WARNING

To prevent **SERIOUS INJURY** or **DEATH** from electrocution or fire:

- Power **MUST** be **DISCONNECTED BEFORE** proceeding with permanent wiring procedures.
- Garage Door Opener installation and wiring **MUST** be in compliance with all local electrical and building codes. Make sure the Opener is **ALWAYS** grounded.
- **NEVER** use an extension cord, 2-wire adapter or modify the power plug in any way to make it fit the outlet.



Ordinary Power Connection



DO NOT OPERATE OPENER AT THIS TIME.

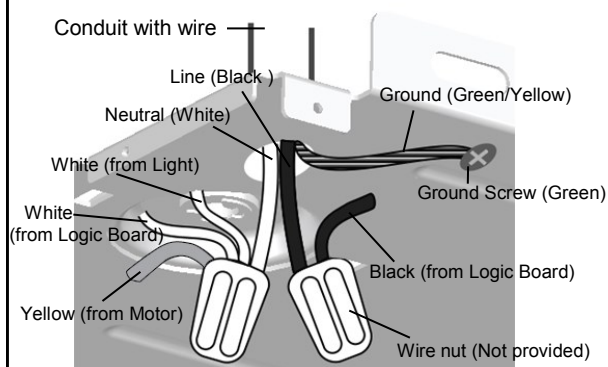
To Connect Power

Plug the Opener into a grounded outlet **ONLY**. If there is no grounded outlet present, call a qualified electrician to replace the outlet. Use of a surge protector is highly recommended page 4.

Permanent Wiring (If Required by Local Code)

1. Remove the enclosure by removing the 6 screws located on the sides and rear of the Opener.
2. Cut the two cable pressure connectors connecting line (black) and neutral (white) wire from the power cord.
3. Remove the grounding screw connecting the green wire.
4. Remove the power cord.
5. Group neutral (white) wires from power source with 2 white wires from light cable, and logic board, and yellow wire from motor, inside the Opener. Connect them with a wire nut.
6. Group line (black) wires from power source with another black wires from logic board inside the Opener. Connect them with a wire nut.
7. Secure the ground (green or bare) wire from the power source with a grounding screw.
8. Reinstall the enclosure.
9. Turn on power supply. If the wiring is properly connected, a "click" should be heard and the light will illuminate (if a bulb is installed). If there is no response from the Opener, check power source and wiring.

For Permanent Wiring **ONLY**

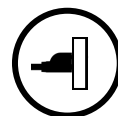


Aligning the Photo Eye Safety System

WARNING

To prevent **SERIOUS INJURY** or **DEATH** from a closing garage door:

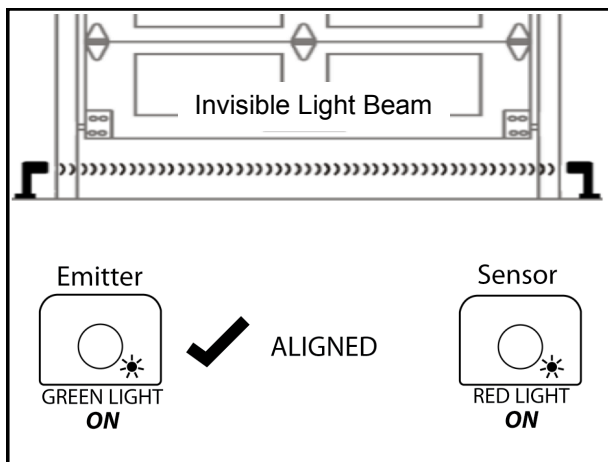
- The Photo Eye Safety System **MUST** be installed **BEFORE** connecting power.
- The Photo Eye Safety System **MUST** be properly connected and aligned **BEFORE** operating the Opener.



To Align the Photo Eye Safety System:

1. When the Photo Eye System is properly connected and the power is connected, one of the Photo Eyes will emit a steady green light. This Photo Eye is the Emitter that generates the Invisible Light Beam.
2. When properly aligned, the Sensor should emit a steady red light when it senses the invisible light beam from the Emitter.
3. If the indication is unsteady, flashes or is dim, check for any obstructions and adjust the position until the Sensor gives a **STEADY RED LIGHT**.

Note: The path of the invisible light beam **MUST NOT** be obstructed. No part of the garage door or any hardware should interfere with the beam or the Opener will not close the door.



Travel Limit Adjustment— I. UP Limit

WARNING

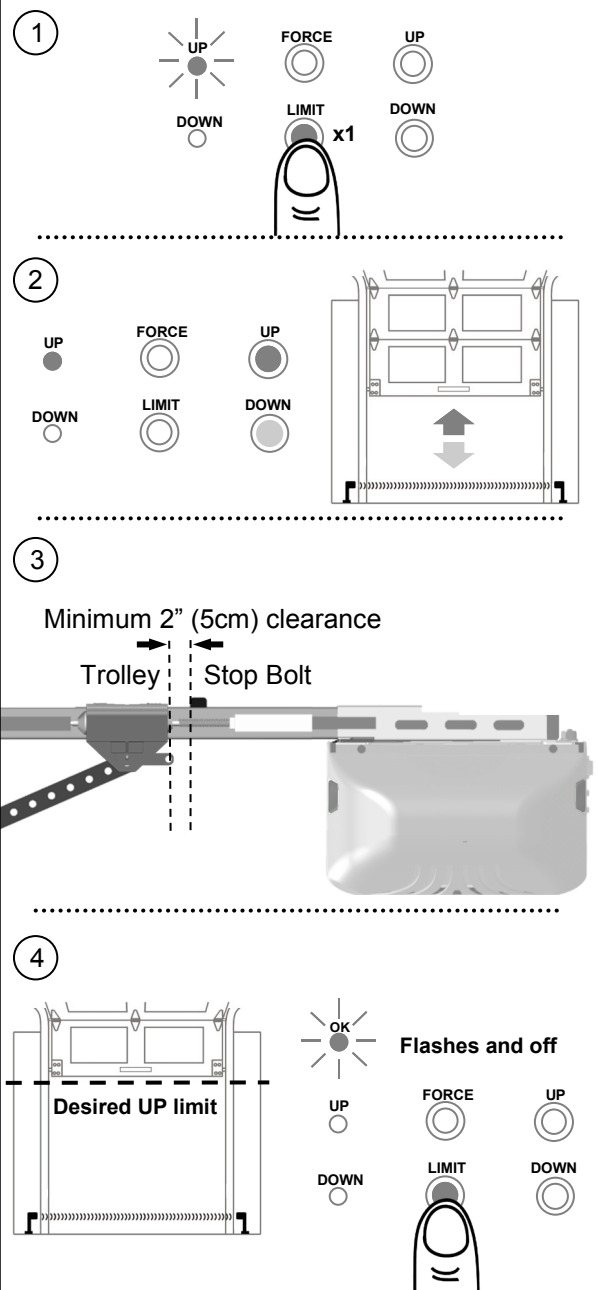
To prevent **SERIOUS INJURY** or **DEATH** from improper Force Adjustment:

- **DO NOT** adjust force to compensate binding or sticking of the garage door. Call a qualified garage door service person to make necessary adjustments in case of binding.
- **DO NOT** increase force beyond minimum force required for closing the door. Too much force will cause improper operation of safety reversal mechanism.
- After **ANY** adjustments, Safety Reverse Test **MUST** be performed to ensure the door reverses on contact with a 1.5" high object (2x4 laid flat).



NOTICE: This opener will not work until you set the travel limits and the travel force adjustment. The opener will beep 5 times if it is operated without programming.

I. Setting UP Limit



About Travel Limit Adjustment

Limit Adjustments regulate the fully-open (UP limit) position and fully-closed (DOWN limit) position, at which the door will stop when opening and closing.

Make sure the trolley is engaged before proceeding adjustments.

I. Setting UP Limit

1. Press "LIMIT" button once to enter Travel Limit Adjustment. "UP" indicator (green) is on*.

*NOTE: Once you have pressed and released the "Limit" button, the "UP" light will stay for 10 seconds for you to press the "UP" button and begin programming. If the "UP" light goes out before you are finished you need to start over.
2. Press & hold the "UP" button, the door travels up. You may use both "UP" or "DOWN" buttons to inch-adjust the door to the desired UP limit position.
3. Make sure there is enough clearance for your vehicle(s), and there is a minimum 2" (5cm) gap between Trolley and Stop Bolt.
4. Once the door is at the desired UP limit position, press "LIMIT" button once, "OK" indicator (orange) flashes and goes off. The UP limit is set.

Travel Limit Adjustment— II. DOWN Limit

WARNING

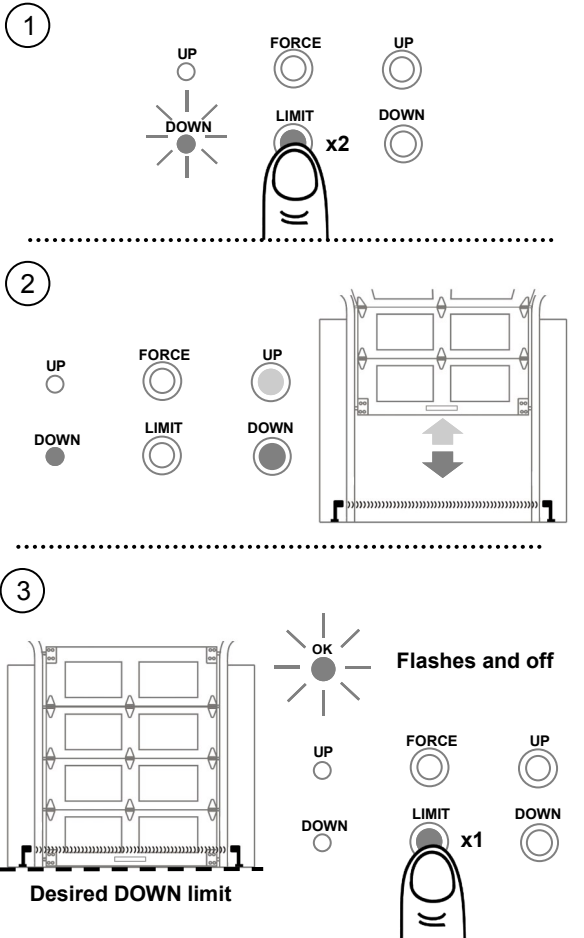
To prevent **SERIOUS INJURY** or **DEATH** from improper Force Adjustment:

- **DO NOT** adjust force to compensate binding or sticking of the garage door. Call a qualified garage door service person to make necessary adjustments in case of binding.
- **DO NOT** increase force beyond minimum force required for closing the door. Too much force will cause improper operation of safety reversal mechanism.
- After **ANY** adjustments, Safety Reverse Test **MUST** be performed to ensure the door reverses on contact with a 1.5" high object (2x4 laid flat).



NOTICE: The opener will not work until you set the travel limits and the travel force adjustment.

II. Setting DOWN Limit



CAUTION: WHILE SETTING THE DOWN LIMIT, CAREFULLY WATCH DOOR TRAVEL DISTANCE. RELEASE BUTTON WHEN THE DOOR MAKES CONTACT WITH THE GROUND!

II. Setting DOWN Limit

1. Following UP limit setting, press "LIMIT" button twice to enter DOWN-limit setting. "DOWN" indicator (red) is on*.

*NOTE: Once you have pressed and released the "LIMIT" button, it will stay for 10 seconds for you to press the "DOWN" button and begin programming. If the "DOWN" light goes out before you are finished you need to start over.

2. Press & hold the "DOWN" button, the door travels down. You may use both "UP" or "DOWN" buttons to inch-adjust the door to the desired DOWN limit position.
3. Once the door is at the desired DOWN limit position, press "LIMIT" button once, "OK" indicator (orange) flashes and goes off. DOWN limit is set.

Both "UP" and "DOWN" (green and red) indicators are now on, indicating that both UP and DOWN limits are set, and the opener is ready for Auto Force Adjustment, see Page 19.

Auto Force Adjustment

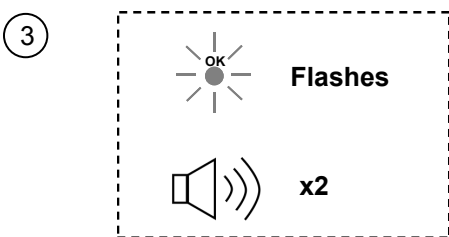
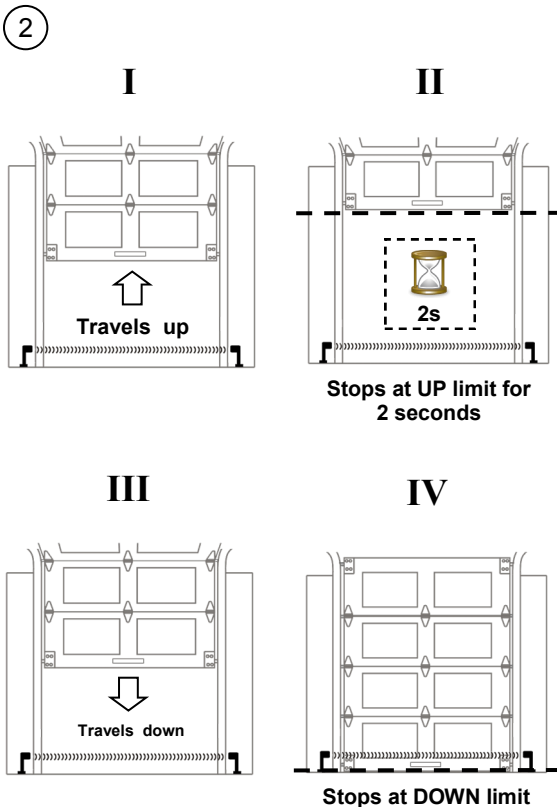
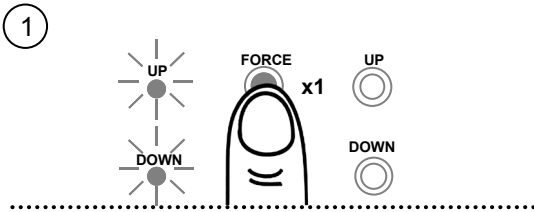
WARNING

To prevent SERIOUS INJURY or DEATH from improper Force Adjustment:

- DO NOT adjust force to compensate binding or sticking of the garage door. Call a qualified garage door service person to make necessary adjustments in case of binding.
- DO NOT increase force beyond minimum force required for closing the door. Too much force will cause improper operation of safety reversal mechanism.
- After ANY adjustments, Safety Reverse Test MUST be performed to ensure the door reverses on contact with a 1.5" high object (2x4 laid flat).



Auto Force Adjustment



Following limit-setting, the unit is now ready to automatically adjust the forces for opening and closing the door. Proceed with the following steps to complete adjustment.

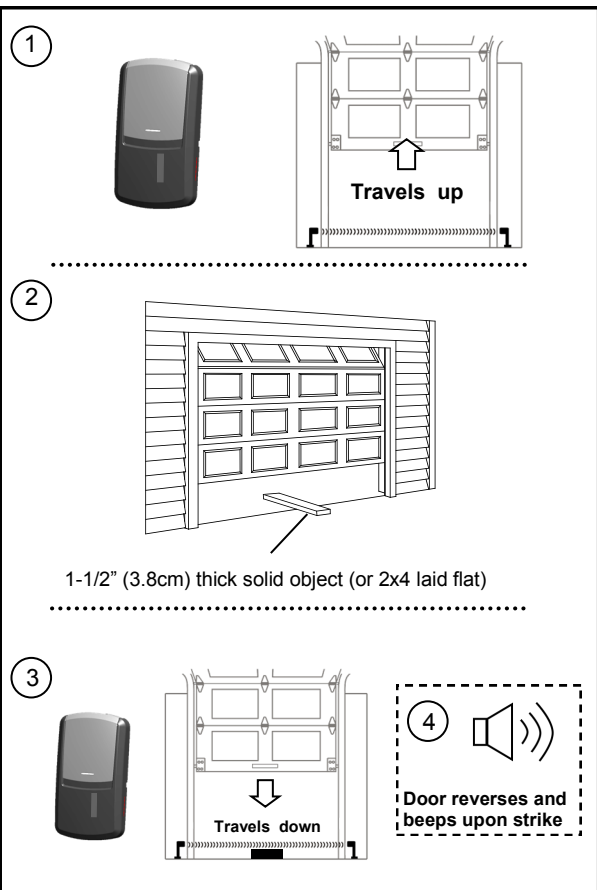
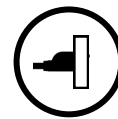
1. With both "UP" and "DOWN" indicators are on after Travel Limit Adjustment, press the "FORCE" button once to enter Auto Force Adjustment.
2. The door will travel up automatically (I) and stop at UP limit for 2 seconds (II). Door will then travel down automatically (III) and stop at down limit (IV).
3. The "OK" indicator (orange) will flash with beeps, the Auto Force Adjustment is completed.

Final Adjustments and Testing

WARNING

To prevent **SERIOUS INJURY** or **DEATH** from a closing garage door:

- The Safety Reversal Test **MUST** be conducted **ONCE A MONTH**.
- **NO ONE** should cross the path of moving door during operation and/or testing.
- If either Force or Travel limit adjustment is made, the other adjustment may also be needed.
- After **ANY** adjustments to the door system, the Safety Reverse Test **MUST** be performed to ensure the door reverses on contact with a 1-1/2" thick (2x4 laid flat) object.
- The Photo Eye Safety System **MUST** be properly aligned, and tested regularly.



Testing the Safety Reverse System

The Safety Reverse System prevents the door from closing when an obstruction is present.

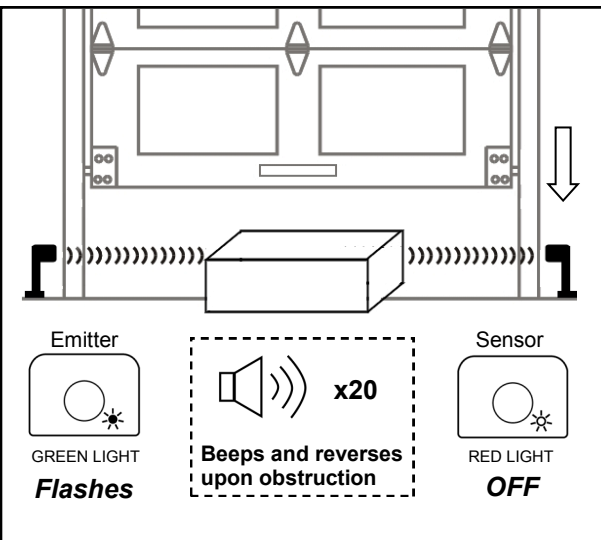
1. Open the door by using the Door Control Console.
2. Place a 1-1/2" (3.8cm) thick solid object (or 2x4 laid flat) on floor under the center of garage door.
3. Keeping the door in sight, use the Door Control Console to close the door.
4. The door **MUST REVERSE** and beep within 1.5 seconds upon striking the object, and stop at the fully open position.
5. The Safety Reverse System works properly and the opener is ready to use.

If the door fails to reverse upon contact with obstruction, adjust the Opener as follows:

The close travel maybe inadequate, slightly increase the **DOWN** limit. (See Travel **Limit Adjustment** on page 17-19)

Conduct the test again. If the door reverses on contact, remove the object and run at least 3 **COMPLETE** travel cycles to ensure proper adjustment.

If the Opener still fails the Safety Reverse Test, call a qualified technician for door adjustment.



Testing the Photo Eye Safety System

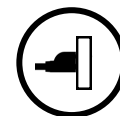
1. Open the door by using the Door Control Console.
2. Make sure both Photo Eyes steadily emit the green and red indicator lights. (If not, check alignment)
3. Place an object under the door about 8" (20cm) high by 12" (30cm) wide (the opener carton can be used),
4. The green indicator light on the emitter eye should flash.
5. The red indicator light on the sensor eye should be dimmed.
6. Keep the door in sight and use the Door Control Console, Door Control Console or Control to try to close the door.
7. The door should **NOT** move more than 1" (2.5cm) and the opener will beep.

Programming Remote Controls

WARNING

To Prevent SERIOUS INJURY or DEATH:

- Keep remote control and battery out of reach of children.
- NEVER permit children to access the Deluxe Door Control Console nor Remote Controls.
- Operate the door ONLY when it is properly adjusted, and there are no obstructions present.
- ALWAYS keep a moving door in sight until completely closed. NEVER cross the path of a moving door.



To reduce risk of fire, explosion or electric shock:

- DO NOT short circuit, recharge, disassemble or heat the battery.
- Replace with a CR2032 3 volt batteries ONLY. Dispose of batteries properly.

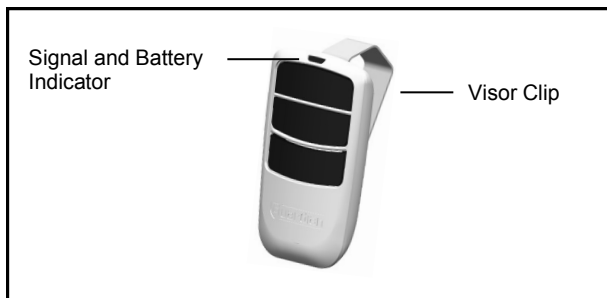


Fig.1

To Program Remote Control (s):

1. Press/release the "LEARN" button once on the rear control panel, "OK" LED will glow and beep. The unit is now ready to accept a remote control in the next 30 seconds as shown in Fig.2.
2. Press/release any desired button on the Remote Control.
3. The "OK" LED will flash and beep twice indicating Remote Control is stored successfully.

Up to 20 Remote Controls (including wireless keypad codes) can be added to the unit by repeating the above procedures.

If more than 20 Remote Controls are stored, the first stored Remote Control will be replaced. (i.e. the 21st Remote Control replaces the 1st stored Remote Control .)

Removing ALL Remote Controls:

To remove ALL Remote Controls from memory, press and hold the "LEARN" button until. The "OK" LED will flash and beep 2 times indicating. ALL Remote Controls have been removed from memory.

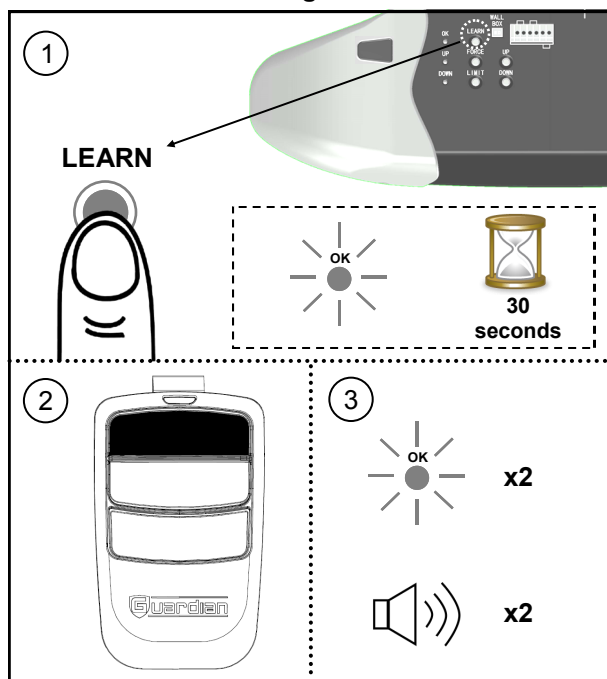


Fig.2

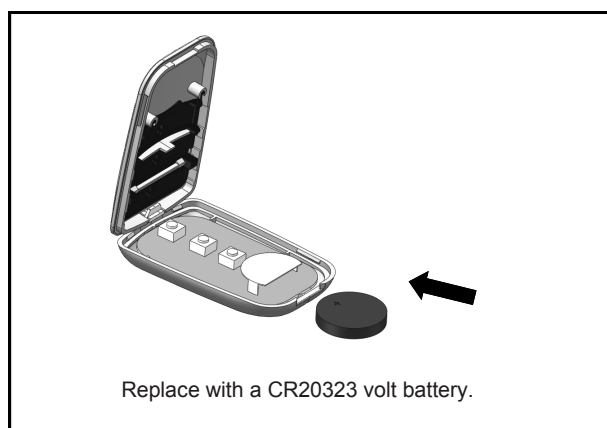


Fig.3

Replacing Remote Control Battery:

When the battery of the Remote Control is low, the indicator light will become dim and/or the range of the Remote Control will decrease. To replace the battery, remove the battery cover from the Remote Control as shown in Fig 4. Replace with a CR2032 3 volt battery with polarity shown in Fig.3.

This device complies FCC Rules for HOME OR OFFICE USE. Operation is subject to the following two conditions: (1) this device may not cause harmful interference, and (2) this device must accept any interference received, including interference that may cause undesired operation.

IMPORTANT SAFETY INSTRUCTIONS

⚠ WARNING

To reduce the risk of severe injury or death:

1. READ AND FOLLOW ALL INSTRUCTIONS.
2. Never let children operate or play with door controls. Keep the remote control away from children.
3. Always keep the moving door in sight and away from people and objects until it is completely closed. **NO ONE SHOULD CROSS THE PATH OF THE MOVING DOOR.**
4. NEVER GO UNDER A STOPPED, PARTIALLY OPEN DOOR.
5. Test door opener monthly. The garage door **MUST** reverse on contact with a 1-1/2-inch high object (or a 2 by 4 board laid flat) on the floor. After adjusting either the force or the limit of travel, retest the door opener. Failure to adjust the opener properly increases the risk of severe injury or death.
6. Use the emergency release only when the door is closed. Use caution when using this release with the door open. Weak or broken springs are capable of increasing the rate of door closure and increasing the risk of severe injury or death.
7. **KEEP GARAGE DOORS PROPERLY BALANCED.** See owner's manual. An improperly balanced door increases the risk of severe injury or death. Have a qualified service person make repairs to cables, spring assemblies, and other hardware.

SAVE THESE INSTRUCTIONS.

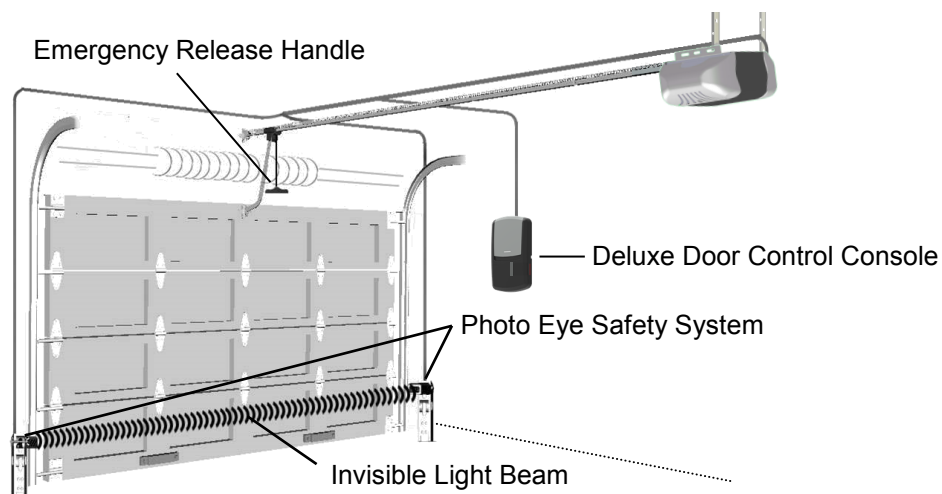
Operating the Opener

WARNING

To Prevent SERIOUS INJURY or DEATH:




- READ AND FOLLOW ALL INSTRUCTIONS AND WARNINGS IN THE OWNER'S MANUAL AND LABELS
- Keep Remote Control and battery out of reach of children.
- NEVER permit children to access the Deluxe Door Control Console or Remote Controls.
- Operate the door ONLY when it is properly adjusted, and there are no obstructions and is in clear sight.
- ALWAYS keep a moving door in sight until completely closed. NEVER cross the path of a moving door.
- If Travel limit adjustment is made, Force Adjustment may also needed.
- After ANY adjustments, the Safety Reverse Test MUST be performed to ensure the door reverses on contact with a 1-1/2" thick object (2x4 laid flat).
- ALWAYS ensure that your door is balanced and in good working condition.

Attach the protective cover to the opener after installation and adjustment is completed.



Actual Operating Scenario


Activating the Opener

Controls	Operation
 <p>Deluxe Door Control Console (Indoor)</p>	<p>Momentary press the "DOOR" button on the Deluxe Door Control Console, the door starts to move, and controls as follows:</p> <ul style="list-style-type: none"> - Open or close the door. - Reverse the door while it is closing. - Stops the door while it is opening. <p>Constant press to close the door when the Photo Eye Safety System is not installed, misaligned or obstructed INTENTIONALLY. Press and hold the button until door is fully closed.</p>
 <p>Remote Control</p>	<p>Remote distance up to 100ft. in open field.</p> <p>For safety concerns, the Remote Control WILL NOT work if the Photo Eye Safety System is not properly installed and aligned.</p>
 <p>Wireless Keyless Entry Keypad*</p>	<p>Program the Wireless Keyless Entry Keypad accordingly and access the door using the PIN code.</p>


*Optional

Operating the Opener

Door Status vs. Activation

Door status	 Activation using Deluxe Door Control Console / Remote Control
Door at fully open / close position	Door will move to fully close / open position
Door is closing	Door will reverse
Door is opening	Door will stop
Door is stopped as intended in partially open position	Close
Door is obstructed while closing	Door will reverse while flashing courtesy light
Door is obstructed while opening	Door will stop
Door is fully opened and Photo Eye System is obstructed	Door will not close

Courtesy Light / Buzzer Responses

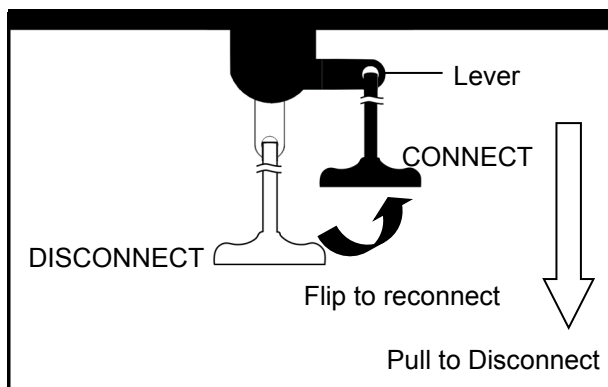
Operation / Condition	 Courtesy Light / Audible Responses
Opener is initially plugged-in (no travel limits stored)	Flash x 5
Reconnecting power (with travel limits stored)	Flash x 3
“LEARN” button is pressed	Beep x 1
Upon activation	Light On for 4.5 minutes
Upon activation by remote controls	Beep x 1, Light On for 4.5 minutes
Remote Control / Keyless Entry PIN code accepted	Beep x 2
Opener is operated without programming	Beep x 5
Door travels with abnormal speed	Beep x 12 (1 beep / second)
Photo Eye System is obstructed during door-closing	Beep x 20
The door is obstructed during travel	Beep x 25

Manual Operation

WARNING

To Prevent **SERIOUS INJURY** or **DEATH**:

- Use Emergency Release to disconnect Trolley **ONLY** when the door is **CLOSED** to prevent unexpected rapid falling in case of a unbalanced / poor-conditioned door.
- Use Emergency Release **ONLY** when doorway is clear of persons and obstructions.
- **DO NOT** use Emergency Release to pull the door open or closed.



In case of a power failure or door obstruction, **PULL EMERGENCY Handle** to release door from Opener.

To Disconnect Trolley for Manual Operation

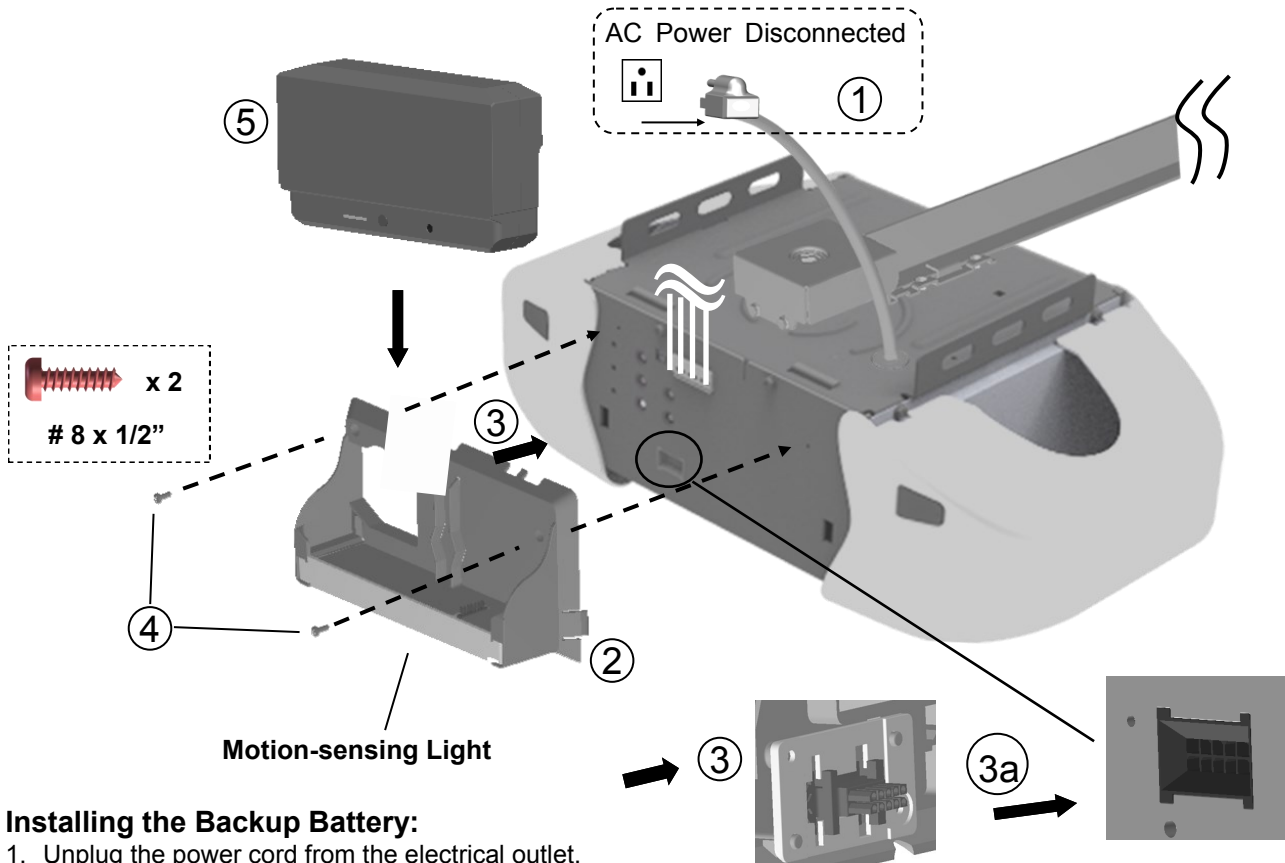
With the door closed, pull down the emergency release handle to the **DISCONNECT** position. The door can be raised / lowered manually.

To Re-connect Trolley

Pull the Handle toward the Opener so that the lever will flip up to the **CONNECT** position. The Trolley will reconnect itself when the Opener is activated or when the door is manually opened/closed.

Installing Portable Battery

The backup battery is continually charged when the opener is plugged into an electrical receptacle. During a power outage the charged battery enables you to use the opener.

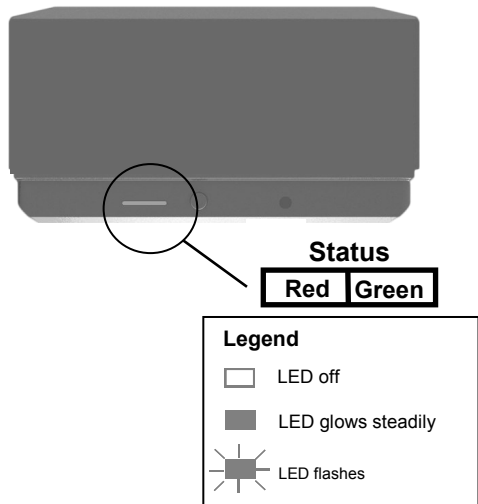


Installing the Backup Battery:

1. Unplug the power cord from the electrical outlet.
2. Ensure that the antenna wire hangs down from the opener so it will be positioned at the location of the slot on the lower left side of the holster.
3. Align the tabs on each side of the holster with the slots in the opener's back panel. Push the holster into the opener. The holster plug will be inserted into the connector in the opener. See 3a.
4. Secure the holster to the opener at the points shown with two #8 x 1/2" screws provided.
5. Slide the backup battery down into the holster. Be sure that it is seated securely.
6. Plug the opener's power cord back into the electrical outlet.
7. Proceed to testing procedures on page 20.

Note: After backup battery has been installed--slide the battery up to remove the battery from the holster to access the LEARN button to program new remote controls. Remove the holster to read programming instructions printed on the opener's back panel next to the programming buttons.

Battery and Status Indicator



Power mode	Status Indicators	Description
AC120V mains	Red Green	Battery is fully charged
	Red Green (flashing)	Battery is being charged
Power outage (Battery mode)	Red Green	Opener is powered by battery
	Red Green (flashing)	Opener is operating with battery
	Red Green (flashing)	Battery is low

Note: The opener will run at a slower speed when powered only by the battery.

Backup Battery Features



Features

- LED indicators showing the battery and status.
- Built-in protection features: over current protection; short circuit protection, overload protection, over-voltage protection, over-charge protection.
- DC power jack for pre-charging or recharging with a plug-in transformer.

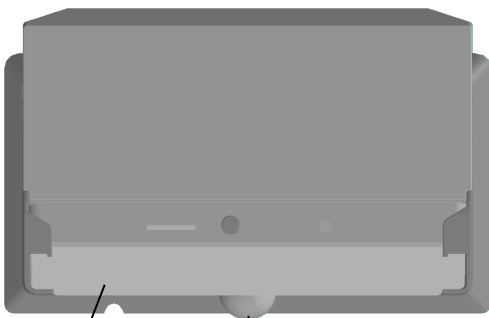
Specification

Dimension (L x W x H)	7.2" x 3.9" x 1.7"
Fully Charge Time	Suggested 24 hours
Recharging Input (DC Jack)	24VDC/1A
Cycle life	Approx. 300 cycles
Operation Temperature	14°F ~ 122°F (-10°C ~ 50°C)

WARNING

1. RISK OF EXPLOSIVE GASES:
 - To reduce risk of battery explosion, follow ALL instructions and warnings on the battery pack
2. DO NOT touch eyes while working near batteries.
3. NEVER smoke or allow a spark or flame in the vicinity of battery or engine.
4. DO NOT drop ANY metal tools onto the battery. It might spark or short-circuit battery or other electrical part that may cause explosion.
5. NEVER wear watches, rings, bracelets, or necklaces when working with car batteries. Batteries can produce a short-circuit current high enough to weld a ring or the like to metal, causing a severe burn.

Motion-Sensing Light



Motion and Ambient Light Sensor

LED Courtesy Light

The Motion-Sensing Light feature:

- The backup battery holster is equipped with a motion detection sensor. The sensor will turn on the LED courtesy light when ambient light is low and motion is detected. The light will remain on for several minutes.
- During a power outage, the LED courtesy light will turn on automatically upon door operation or when ambient light is low.

Maintenance

Schedule	Maintenance
Once a month	Door balance test, refer to page 5. Safety reverse test, refer to page 20
Twice a year	Check chain/belt tension (refer to page 7 for adjustment if necessary).
Once a year	- Limit and force adjustment may be necessary due to weather conditions. Refer to pages 17-19 for adjustment. Conduct safety reverse test after ANY adjustments. - Lubricate door rollers, bearings and hinges. The Opener is permanently lubricated, DO NOT lubricate or grease the Opener, rail or door tracks.

Troubleshooting

TROUBLESHOOTING: Status - Courtesy Light Flashes

3-Flashes	Power reconnected to opener with travel limits learned and stored <ul style="list-style-type: none"> Door should open/close on command.
5-Flashes	Power connected to opener without travel limits learned and stored <ul style="list-style-type: none"> Program the opener limits. <i>Note: Opener will not program without photo-eyes properly installed.</i> <i>(Refer to pages 17-19 to check the travel limits & travel force).</i>
COURTESY LIGHT STAYS ON for 4.5 min.	Upon activation <ul style="list-style-type: none"> Door will open/close on command.

TROUBLESHOOTING: Status & Diagnostic Chart - Beeps

1 BEEP Learn remote control code	"LEARN" button is pressed <ul style="list-style-type: none"> Proceed to program remote controls. <i>(Refer to page 21 to program remote)</i>
1 BEEP & LIGHT ON 4.5 minutes Remote control code received	Remote control has activated the Opener <ul style="list-style-type: none"> Door should open/close.
2 BEEPS Confirmation of learned code	Remote control/keyless entry PIN code accepted <ul style="list-style-type: none"> Remote control has been programmed. If door does not operate, check deluxe door control console (if applicable) And switch vacation mode to off position.
5 BEEPS Command sent, but operator has not been programmed	SYMPTOM: Door does not open. <ul style="list-style-type: none"> Program or reprogram the opener limits. <i>(Refer to pages 17-19 to check the travel limits & travel force).</i>
12 BEEPS Door travels with abnormal speed	SYMPTOM: Door travels too fast , too slow or not at all. <ul style="list-style-type: none"> Opener may not be using the proper force to open and close the door. <i>(Refer to pages 17-19 to check the travel limits & travel force).</i> SYMPTOM: During limit learn mode, if door travels only 1" to 28" then stops. <ul style="list-style-type: none"> Check RPM encoder connections or replace RPM encoder (call service tech) Please contact Guardian Tech Support for further assistance.
20 BEEPS Photo Eye System is obstructed during door-closing	SYMPTOM: Opener does not close door & door reverses. Red and/or green LED indicators do not illuminate or one photo eye LED flashes. <ul style="list-style-type: none"> The photo eye may be obstructed, improperly aligned or installed. A staple may have cut through the photo eye wire and caused a short circuit <i>(Refer to page 16)</i>
25 BEEPS The door is obstructed during travel	SYMPTOM: The door reverses upon touching the floor or stops in the up direction and the courtesy light flashes <ul style="list-style-type: none"> <i>(Refer to pages 17-19 to reset the travel limits and the travel force)</i> Please contact Guardian Tech Support for further assistance. SYMPTOM: Door travels 1" to 12" then stops, and beeps 25 times <ul style="list-style-type: none"> Remove soft settings by pressing the LIMIT and FORCE BUTTONS simultaneously for 2 seconds and reset Up/Down and Force limits.

Troubleshooting

TROUBLESHOOTING: Status & Diagnostic Chart - beeps

SYMPTOM: Opener does not respond to remote control.

- Check remote control battery.
- Program remote control.
- **2 Beeps:** 'Vacation Lock' may be activated on deluxe control (*Refer to page 21 to program remote control*)

SYMPTOM: Opener stops before reaching full open/closed position.

- Travel Limit is not properly adjusted.
Check adjustment (Conduct safety reverse test after ANY adjustment).
(*Refer to pages 17-19 to reverse test & travel force*)
- If door is obstructed or force setting related, please count the BEEPS and refer to the **"TROUBLESHOOTING: Diagnostic Chart - Beeps"** (Page 27).

SYMPTOM: Door reverses unintentionally.

- Make sure the photo eye safety system is aligned and clear of obstructions.
- A door spring that has relaxed, door or track alignment that has changed or a sudden change in temperature could create the phantom obstruction sensed.
(*Refer to pages 17-19 to check the travel limits & travel force*)
- Check for a broken door spring.
(*Refer to page 5 to check the door balance*)
- Call a qualified service technician to check the door or replace the spring.

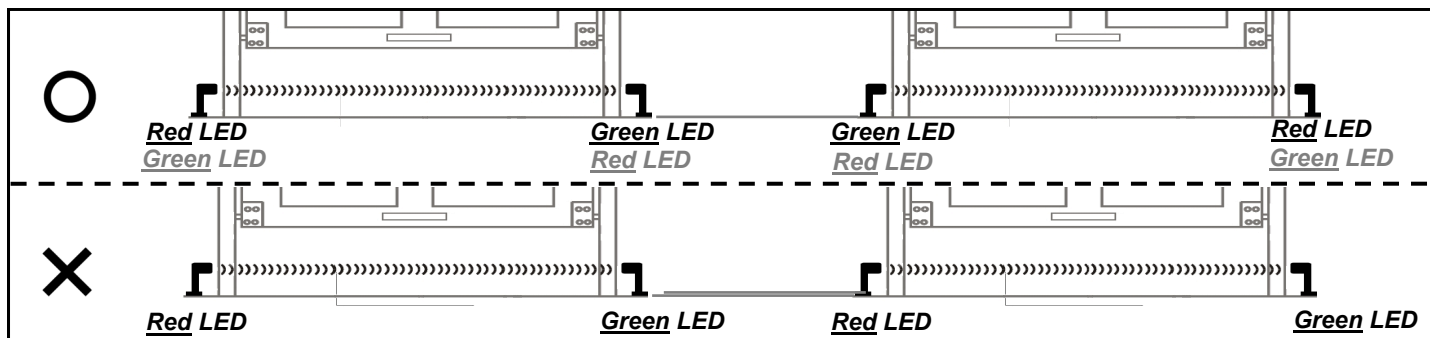
SYMPTOM: If courtesy lamp does not turn ON, replace light bulb.

- Replace light bulb (A19 incandescent Max. 100W).
- If after light bulb is replaced, and courtesy lamp still does not turn ON, replace logic board.

SYMPTOM: Courtesy light does not turn OFF.

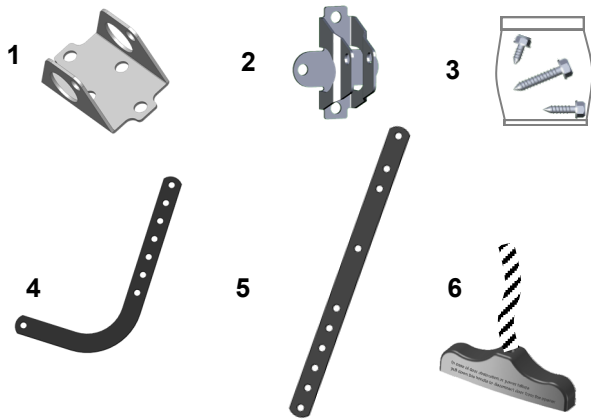
- If deluxe door control console installed, press courtesy light on/off switch. If after pressing light on/off of deluxe door control dose not work, then replace logic board.

Note: If installing operators on two doors in the same garage, Photo Eyes should be aligned as below:



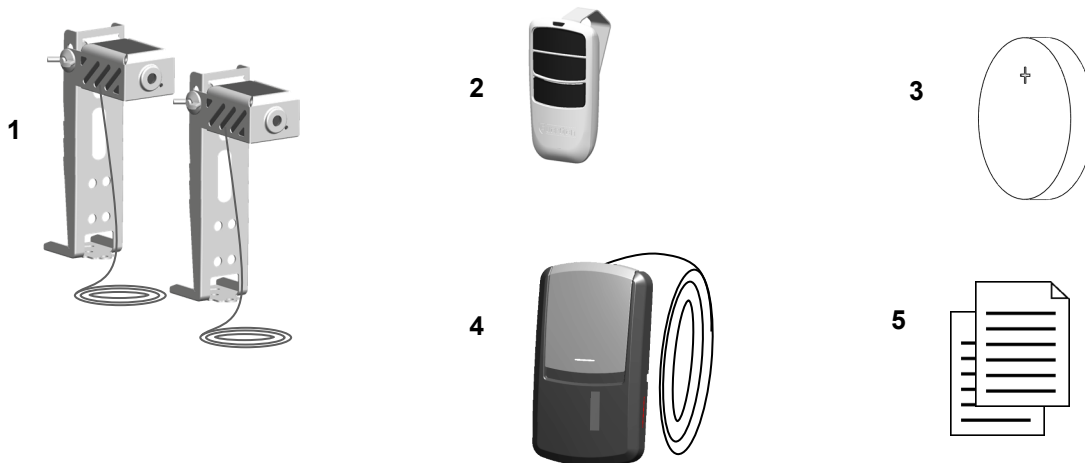
Repair Parts

Installation Parts



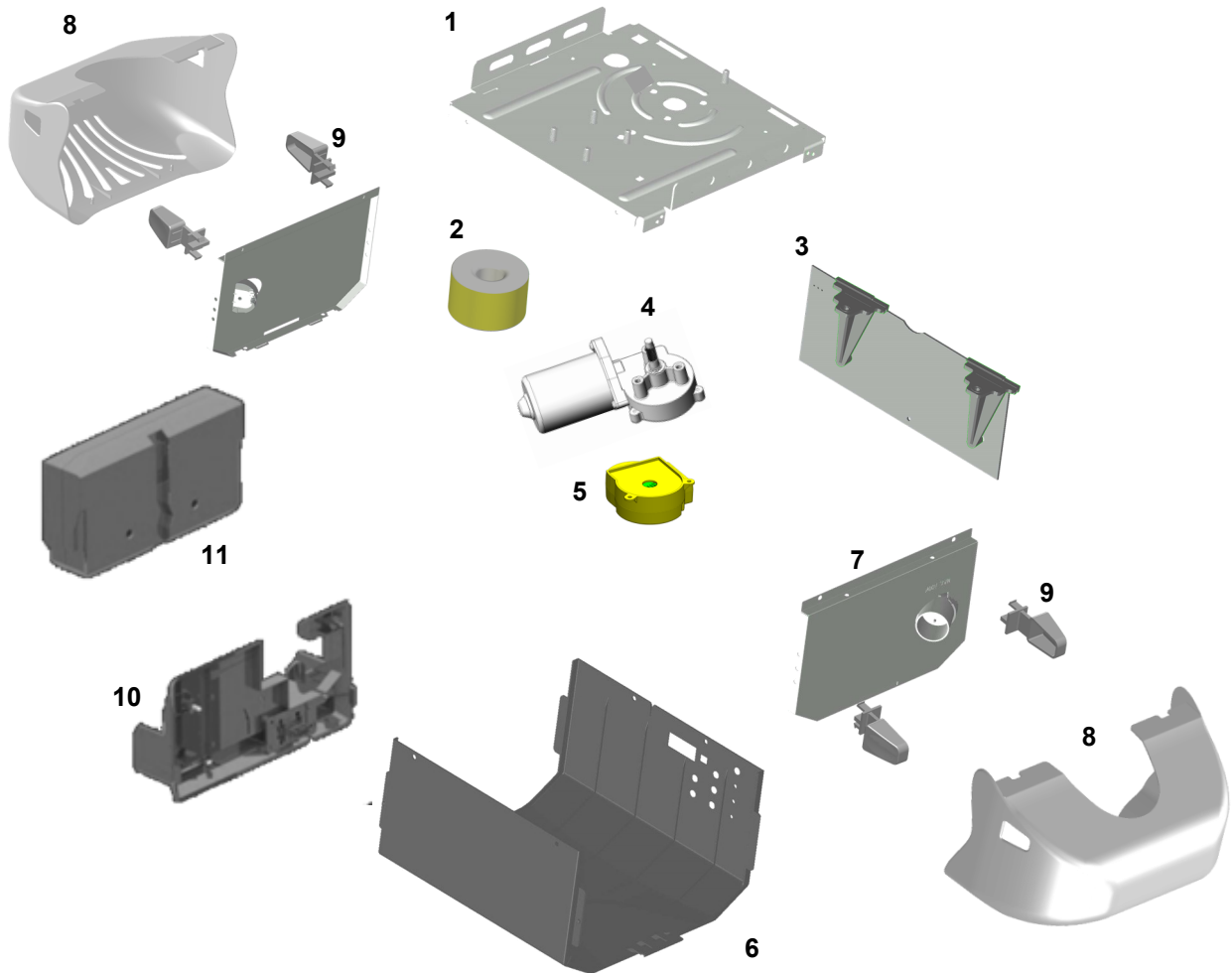
Item	Part No.	Name / Description
1	GUAT-027	Header Bracket
2	GUAT-022	Door Bracket
3	GUAT-023	Hardware Bag (Installation hardware shown on P.3)
4	GUAT-024	Curved Door Arm
5	GUAT-025	Straight Door Arm
6	GUAT-026	Emergency Release Handle & Rope

Accessories



Item	Part No.	Name / Description
1	GUAT-201	Photo Eye Safety System (Emitter + Sensor with Brackets)
2	D3BCC	Remote Control
3	CR2032 3V	Remote Control Battery
4	3-FDCC	Deluxe Door Control Console
5	GUAT-220	Owner's Manual

Opener Assembly Parts



Item	Part No.	Name / Description	Item	Part No.	Name / Description
1	GUDT-301	Chassis	7	GUDT-309	Lamp Plate
2	GUDT-321	Transformer	8	GUDT-310	Light Lens
3	GUDT-322	Logic Board	9	GUDT-311	Light Lens Clip
4	GUDT-349	DC Motor	10	GUDT-319	Battery Holster
5	GUDT-314	Encoder Module	11	STDBAT	Portable Battery
6	GUDT-353	Opener Cover			

* Should be replaced by qualified technician only



WARRANTY

GARAGE DOOR OPERATORS

Manufacturer hereby warrants to the original purchaser and for the original residence in which this product was installed.

1. Garage Door Operators to be free from defects in material and workmanship for the product's lifetime for motors and one (1) year for Electronics and Mechanics from date of purchase, if installed by an authorized reseller, otherwise if installed by the purchaser one (1) year will apply.
2. Garage Door Operators (Commercial and Industrial Application) to be free from defects in material and workmanship for a period of three (3) months from date of purchase.
3. Where the garage door operator has been returned to the manufacturer for Warranty repairs, all costs incurred in the return will be paid for by the purchaser. If in the opinion of the manufacturer the product is faulty, all defective parts will be replaced at no charge to the purchaser.
4. Proof of purchase must be given to the manufacturer at time of Warranty claim.
5. The manufacturer reserves the right to modify any existing or future products without incurring any obligation to incorporate such modification to products already manufactured or to which this Warranty may relate.
6. Warranty only applies if this product has been installed to the Manufacturers recommendation
7. This Warranty does not apply to any defect, loss or damage arising or caused directly or indirectly by or as a result of :
 - (i) Any defect (including detects in component parts or accessories) arising from or attributable to the failure to carry out normal preventive maintenance or adjustment itself.
 - (ii) To any additional damage or deterioration arising from attributable to the operation of the Operator after it is known to be defective.
8. Exclusions to Warranty Period:
 - (i) Repair or Warranty Work - three (3) month
9. Not included in Warranty:
 - (i) Batteries.
 - (ii) Fuses.
 - (iii) Light bulbs.
 - (iv) Sensitivity adjustment.
 - (v) Handheld Remote Controls and receiver range.
10. Note : All Warranties will be void subject to:
 - (i) Water damage and condensation.
 - (ii) Power supply black out or surge.
 - (iii) Act of God.
 - (iv) Modification or adjustment by unauthorized persons.
 - (v) Any interference from radio (including citizen band radios or and other electronic device)
 - (vi) Preventative maintenance and regular servicing not undertaken.
 - (vii) Account not paid in full by the purchaser.
11. Subject only to the provisions of the Trade practices Act and any legislation of the State or Territory wherein the operators of the Manufacturer have been sold or installed (which may confer certain rights on consumers of goods and those rights by such legislation may be rendered incapable of exclusion) this Warranty supersedes and excludes all representations, warranties and conditions whether expressed or implied by law and the Manufacturer shall have no liability or otherwise than herein provided for any loss and damage (including consequential loss and damage, loss of use or profits) by reasons of delay, defective or faulty materials or workmanship, negligence or any act, matter or thing done permitted or omitted to be done by the Manufacturer.

WARRANTY

THIS WARRANTY FORM SHOULD BE COMPLETED AT TIME OF INSTALLATION

This Warranty Form should be retained by the purchaser at all times and produced with the purchase docket by the Purchaser as proof of the purchase date.

PURCHASER'S NAME: _____

PURCHASER'S ADDRESS: _____

INSTALLED BY: _____

INSTALLER'S ADDRESS: _____

INSTALLER'S SIGNATURE: _____

SERIAL NUMBER OF THE OPERATOR: _____

GUARDIAN SERVICE

Your operator has been installed by a professional installation specialist. If service information is required please contact the installing company or your local Guardian dealer. Look for your Guardian dealer online, in the yellow pages or call our service number for a dealer near you.

Service number : **1-424-272-6998**

Please have the following information when you call:

- Model number of the operator
- Serial number of the operator--located on the bar code label on top of the opener, above the adjustment buttons

