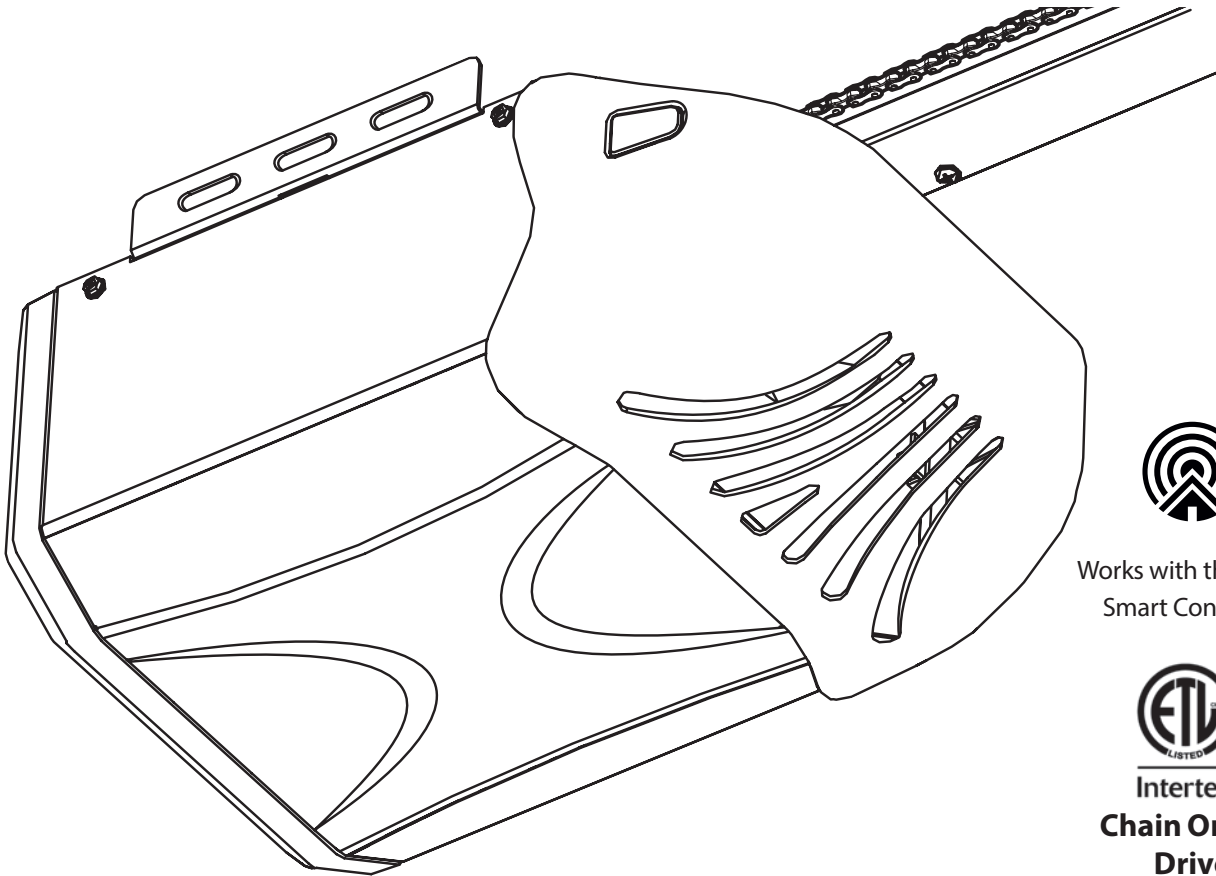


Guardian[®]

WARNING:

To reduce the risk of injury to persons - Use this operator only with Residential Sectional Garage doors.

MODEL 7160V
PRO Series



Works with the beam
Smart Controller



Intertek
Chain Or Belt
Drive

Owner's Manual

- Please read and understand this manual and safety instructions carefully before installation.
- The Opener WILL NOT CLOSE until the Photo Eye Safety System is properly installed and aligned.
- REGULARLY CHECK and TEST the Opener according to the safety label to ENSURE SAFE OPERATION.
- If using the unattended operation feature, use ONLY with sectional doors.
- Retain this manual for future reference.
- *In California: To be in compliance with CA SB-969, this operator must be installed with the backup battery kit, STDBBUKIT.

Serial # _____ Date Installed ____/____/_____

Located on label on top of your opener.

Table of Contents

Inventory	
Symbols and Icons	2
Inventory and Hardware Needed	3
Safety Instructions	4
Prepare / Sectional Garage Door / Tools Required	5
Assembly	
Assembling T-rail to Operator / Tension the Belt and Chain (Optional)	6
Installation	
Mounting Header Bracket	7
Attaching Rail to Header Bracket and Door Bracket	8
Mounting Opener to Ceiling	9
Attaching Door Arms	10
Installing Light and Emergency Release Handle	11
Wiring	
Wiring Instructions	12
Connecting Photo Eye Safety System	13
Connecting Deluxe Door Control Console	14
Motion Activated Security Lighting	15
Connecting Power	16
Adjustment	
Travel Limit Adjustment UP	17
Travel Limit Adjustment DOWN	18
Auto Force Adjustment	19
Final Adjustment and Testing	20
Operation	
Programming Remote Control	21
Important Safety Instructions	22
Operating the Opener	23-24
V3 Installation	25
Installing Battery Backup and Status Indicator	26
Backup Battery Features and Motion-Sensing Light	27
Maintenance and Troubleshooting	28-29
Repair Parts and Service	
Installation and Accessory Parts	30
Opener Assembly Parts	31
Warranty	32

Symbols and Icons

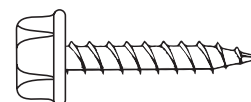
READ WARNINGS CAREFULLY to prevent SERIOUS INJURY or DEATH caused by electrocution or mechanical hazard.



WARNING



Please connect power



Installation hardware shown in actual size

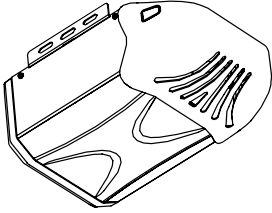
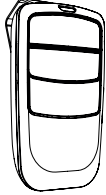

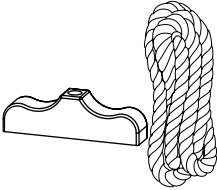

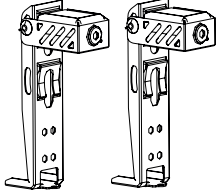
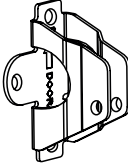
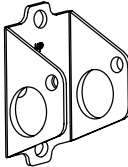
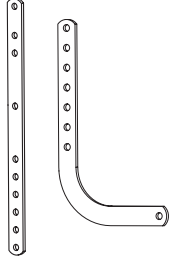


Beeps from built-in buzzer of the Opener




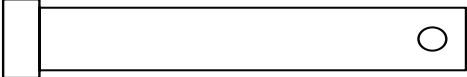
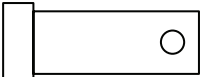
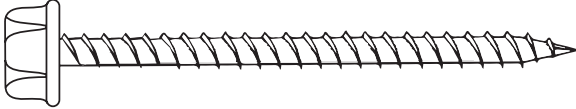
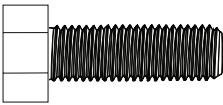
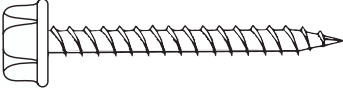
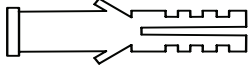
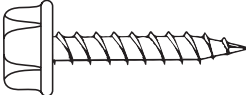

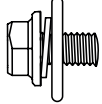

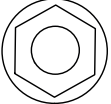
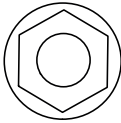
DO NOT connect power

Inventory

1	2	3	4	<ol style="list-style-type: none"> 1. Opener Unit + Light Lens (Light bulb is not included) 2. Remote Control 3. Deluxe Door Control Console 4. Emergency Release Handle 5. Manual 6. Photo Eyes 7. Door Bracket 8. Header Bracket 9. Door Arms
				
5	6	7	8	9
				

Hardware Needed

INSTALLATION HARDWARE, LOCATED IN HARDWARE BAG* (SHOW ACTUAL SIZE 1:1)

		
<p>Screw #6 x 1-3/8" Deluxe Door Control Console (2) Included inside the Door Control Console bag</p>	<p>Clevis Pin Long 5/16" x 2-1/4" Header Bracket (1) Attached to the header bracket</p>	
		
<p>Clevis Pin 5/16" x 1" Door Arms (2)*</p>	<p>Lag Screw 5/16" x 2 1/2" Header Bracket / Mounting Opener (2)*</p>	
		
<p>Bolt 5/16" -18 x 1" Door arms / Mounting Opener (6)*</p>	<p>Lag Screw 5/16" x 1 5/8" Hanging Bracket / Mounting Opener (2)*</p>	<p>Drywall Anchor Deluxe Door Control Console (2) Included inside the door control console bag</p>
		
<p>Lag Screw 1/4 x 1" Photo Eye System (4)*</p>	<p>Hitch Pin Locking Clevis Pins (2)* Header Bracket (1) Attached to the clevis pin from header bracket</p>	<p>Hex Screw with Washers #10-24x1/2" T-rail assembly (1)*</p>
		
<p>Self-Threading Screw 1/4" x 1" Door Bracket (2)*</p>	<p>Flange Nut 1/4" -20 T-rail assembly (4)*</p>	<p>5/16" Flange Nut Door arms / Mounting Opener (6)*</p>

Safety Instructions

IMPORTANT INSTALLATION INSTRUCTIONS

WARNING

To reduce the risk of severe injury or death:

1. READ AND FOLLOW ALL INSTALLATION INSTRUCTIONS.
2. Install only on a properly balanced garage door. An improperly balanced door has the potential to inflict severe injury. Have a qualified service person make repairs to cables, spring assemblies, and other hardware before installing the opener.
3. Remove all ropes and remove or make inoperative all locks connected to the garage door before installing Opener.
4. Where possible, install the door opener 7 feet or more above the floor. For products having an emergency release, mount the emergency release within reach, but at least 6 feet above the floor and avoiding contact with vehicles to avoid accidental release.
5. Do not connect the Opener to source of power until instructed to do so.
6. Locate the control button: (a) within sight of door, (b) at a minimum height of 5 feet so small children are not able to reach it, and (c) away from all moving parts of the door.
7. Install the Entrapment Warning Label next to the wall-mount control button in a prominent location. In case the adhesive does not adhere on the surface, the label should be attached to the surface by mechanical means.



Entrapment Warning Label - Permanently attach next to wall-mounted control button.

8. After installing the Opener, the door must reverse when it contacts a 1-1/2-inch high object (or a 2 by 4 board laid flat) on the floor.
9. Do NOT install on a one piece door if unattended operation feature will be used.

IMPORTANT SAFETY INSTRUCTIONS

WARNING

To reduce the risk of severe injury or death:

1. READ AND FOLLOW ALL INSTRUCTIONS.
2. Never let children operate or play with door controls. Keep the remote control away from children.
3. Always keep the moving door in sight and away from people and objects until it is completely closed. NO ONE SHOULD CROSS THE PATH OF THE MOVING DOOR.
4. NEVER GO UNDER A STOPPED, PARTIALLY OPEN DOOR.
5. Test door opener monthly. The garage door MUST reverse on contact with a 1-1/2-inch high object (or a 2 by 4 board laid flat) on the floor. After adjusting either the force or the limit of travel, retest the door opener. Failure to adjust the Opener properly increases the risk of severe injury or death.
6. Use the emergency release only when the door is closed. Use caution when using this release with the door open. Weak or broken springs are capable of increasing the rate of door closure and increasing the risk of severe injury or death.
7. KEEP GARAGE DOORS PROPERLY BALANCED. See owner's manual. An improperly balanced door increases the risk of severe injury or death. Have a qualified service person make repairs to cables, spring assemblies, and other hardware.

SAVE THESE INSTRUCTIONS.

Preparation

⚠ WARNING

To prevent SERIOUS INJURY or DEATH:

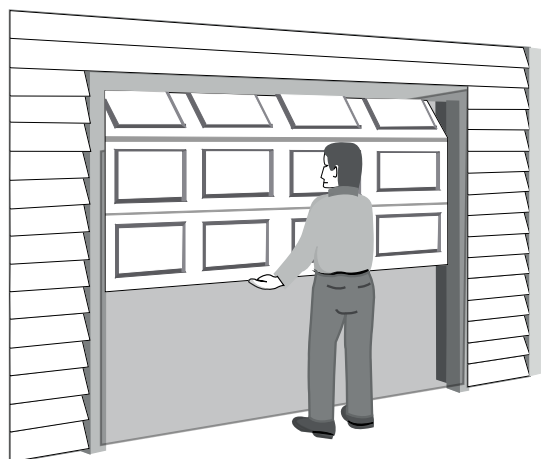
- Before beginning installation of the Opener please complete the following test to ensure that your door is balanced and in good working condition.
- A poorly balanced door can cause serious injury and damage to the Opener.
- Always have a qualified garage door service technician make any required adjustments and / or repairs to your door before proceeding with installation.
- DISABLE ALL LOCKS and REMOVE ALL ROPES connected to the garage door BEFORE installing and/or operating the Opener.
- Do NOT install on a one piece door if unattended operation feature will be used.



To prevent damage to the door and Opener:

- DO NOT connect power until instructed.
- Operate this Opener with AC 120V/60Hz power supply ONLY.

Sectional Garage Door



BEFORE Beginning Installation:

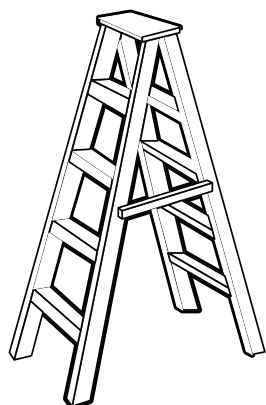
1. Disable locks and remove all ropes connected to the garage door.
2. Perform the following door test to ensure your door is balanced and in good working condition.

To Test Your Garage Door

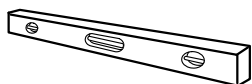
1. Raise and lower the door to check if there is any sticking or binding.
2. Check for loose hinges, damaged rollers, frayed cables and damaged or broken springs.
3. Lift the door approximately halfway and release. The door should stay at the point under proper spring tension.

Call a qualified garage door service technician if your door binds, sticks or is unbalanced.

Tools Needed



Step Ladder



Level



Pencil



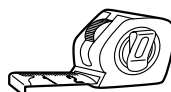
Screwdriver



Pliers



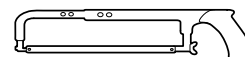
Adjustable Wrench



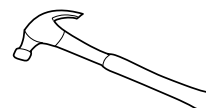
Tape Measure



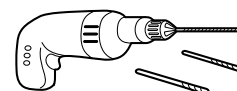
Ratchet with 1/2" and 7/16" socket



Hack Saw



Hammer



Drill 3/16", and 5/16" Drill Bits

Assembling T-rail

⚠ WARNING

To prevent **SERIOUS INJURY**:

- DO NOT connect power until instructed.
- Keep hands and fingers clear from sprocket during operation.
- Wear gloves when installing chain / belt and cable.
- Keep hands and fingers away from joints and possible sharp edges.

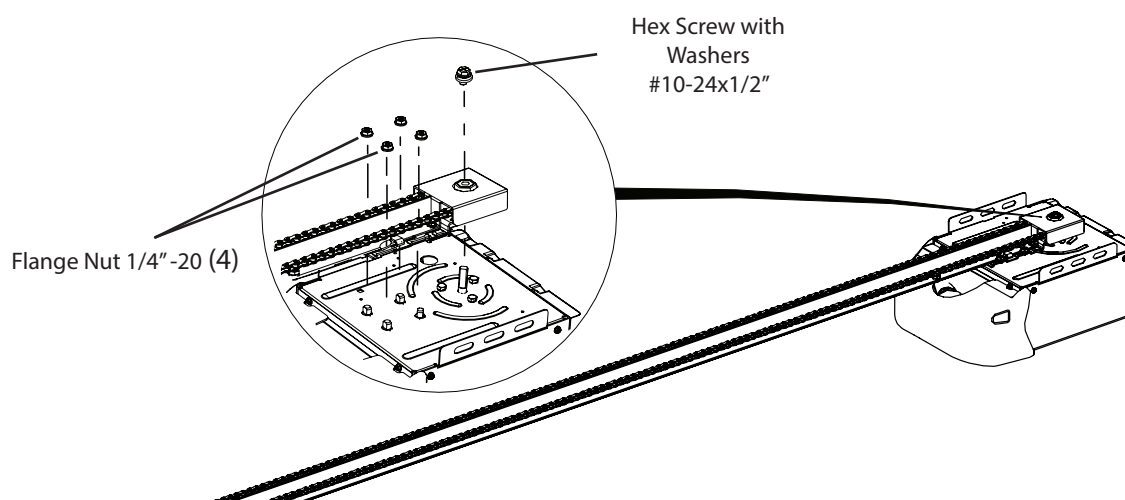


To Assemble the Rail

1. Align the pre-assembled T-rail on the top of opener in the direction.
2. Secure the T-rail to the Opener firmly using 1/4" Flange Nut x 4.

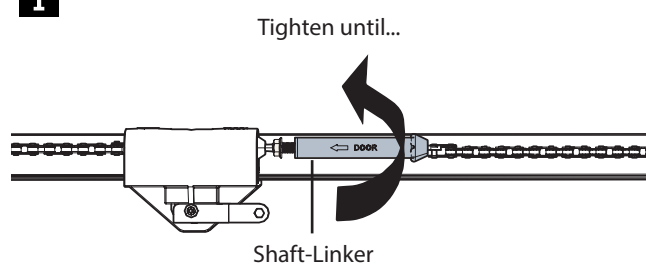
Final Step to T-rail Installation

Fasten the Screw to the motor shaft with Spring Washer and Washer in between.



Tension the Belt / Chain

1

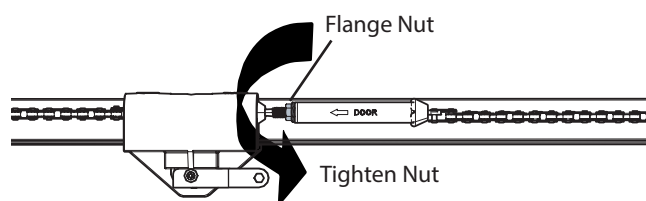


Note: The chain or belt rail assembly comes pre-tensioned from the factory. Additional adjustment is not required.

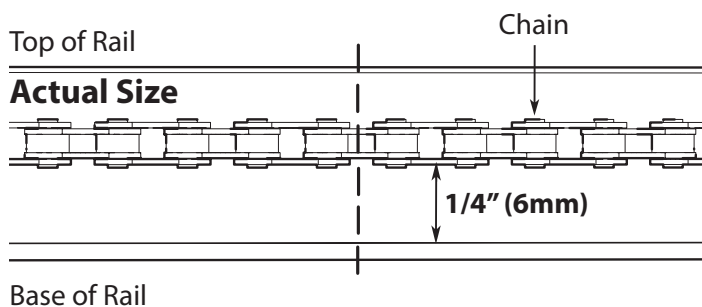
Tighten the Belt or Chain

1. Rotate the Shaft Linker towards the Trolley Shaft until the belt / chain is slightly loose about 1/4" (6mm) above the base of the rail, referring to the actual-sized illustration below.

2



Mid-point of Rail assembly



2. Tighten the Flange Nut on Trolley Shaft against the Shaft-Linker.

Mounting Header Bracket

⚠ WARNING

To prevent SERIOUS INJURY:

- DO NOT connect power until instructed.
- The Header Bracket MUST be SECURELY fastened to the structural support on the mounting wall or ceiling, otherwise the door may not reverse when required. DO NOT install the Header Bracket over drywall.
- Concrete anchors MUST be used when mounting the Header Bracket into masonry.
- NEVER try to loosen, move or adjust garage door Springs, Cables, Pulleys, Brackets, or Hardware, all of which are under EXTREME tension.
- Contact a qualified garage door service technician if your door binds, sticks or is unbalanced. An unbalanced door might not reverse when required.

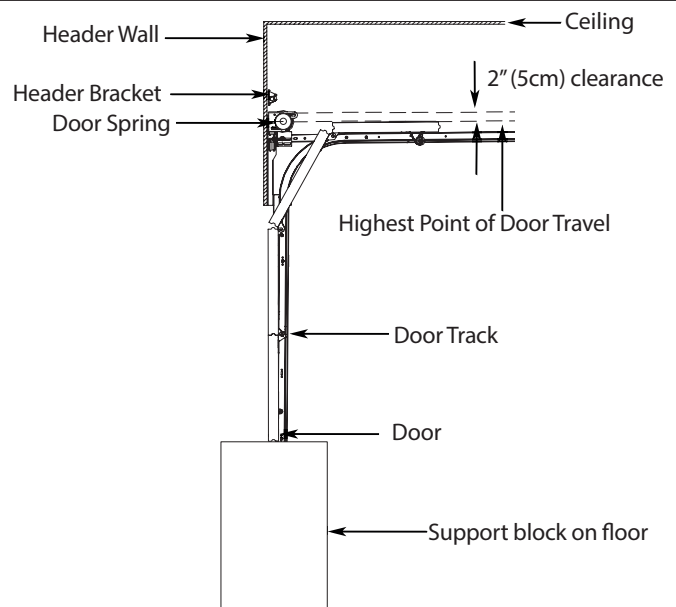


To Install Header Bracket

Note: Installation procedures may vary according to door type.

1. While inside your garage, close the door and mark the vertical centerline of the garage door. Extend the line onto the header wall above the door spring.
2. Open the door to the highest point of travel. Mark a line on the header wall 2" (5cm) above the highest point of travel.

Note: DO NOT install the Header Bracket over drywall. In some installations, it may be necessary to install a 2x4 across two wall studs to create a suitable location for the Header Bracket. If installing into masonry, use concrete anchors (not provided).



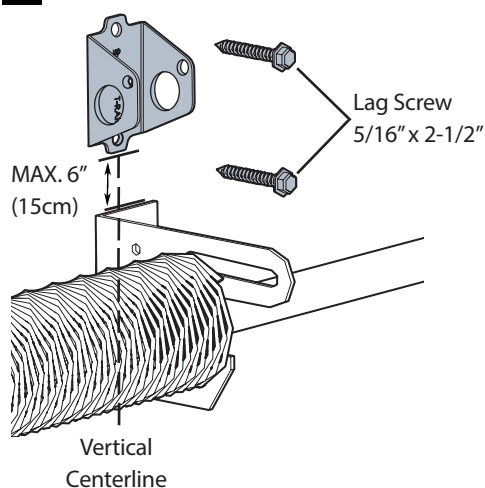
1. Wall-mounting

- a. Place the Header Bracket on the vertical centerline in direction shown.
- b. Mark and drill two 3/16" holes. Fasten the Header Bracket securely to a structural support using two 5/16" x 2-1/2" Lag Screws.

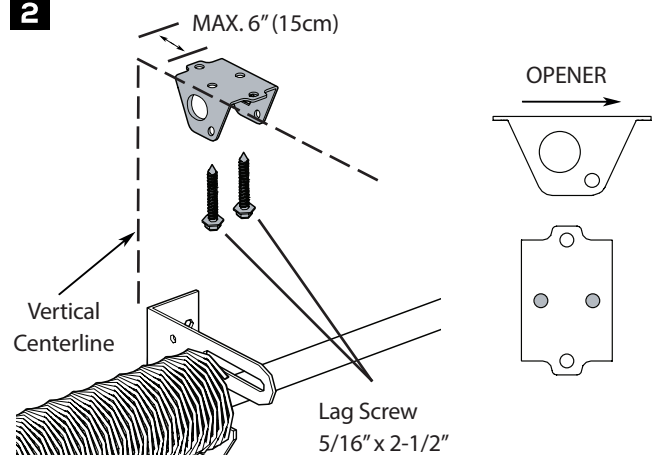
2. Alternative Ceiling-mounting

- a. Ceiling-mounting is suggested ONLY when clearance is minimal.
- b. Extend the vertical centerline onto the ceiling. Center the Header Bracket on the vertical mark, no more than 6" (15cm) from the header wall. Mark and drill holes to fasten the Header Bracket securely to a structural support.

1



2

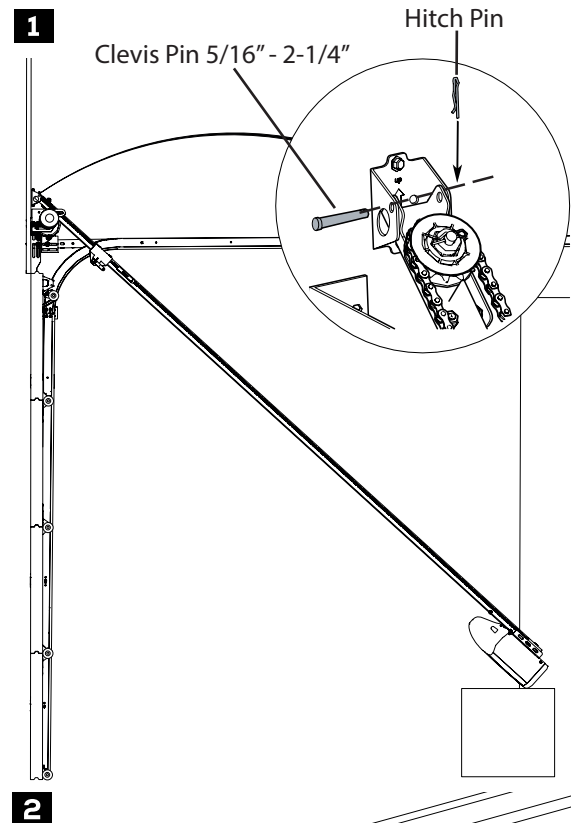


Attaching Rail to Header Bracket and Door Bracket

⚠ CAUTION

To prevent **SERIOUS INJURY**:

- DO NOT connect power until instructed.
- Horizontal and vertical **REINFORCEMENT** is recommended for the top panel of fiberglass, aluminum or light weight steel garage doors **BEFORE** installing the door Bracket. Contact your door manufacturer for door strut and vertical reinforcement options.



1. To Attach the Opener to the Header Bracket

- Use the packaging carton as temporary support for the Opener. Place the Opener on carton to prevent damage.
- Align the mounting hole on the header rail to the mounting hole on the Header Bracket.
- Connect the Header Rail and the Header Bracket together with a 5/16" x 2-1/4" Clevis Pin and lock it in place with a Hitch Pin.

2. To mount the Door Bracket

Note: Some door reinforcement kits may provide direct attachment of the door arm to the reinforcement bracket. If you have a door reinforcement bracket with this option, skip this step and proceed with the next step "Mounting Opener to Ceiling".

- Position the Door Bracket on the centerline of the door approximately 2" - 4" (5-10cm) below the top edge of the door.
- Depending on the construction of your door, install using one of the steps shown if below:

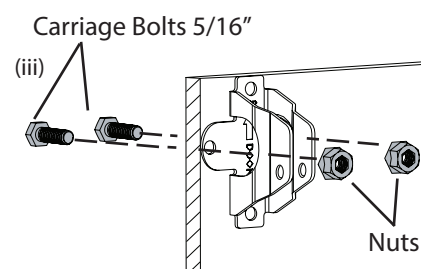
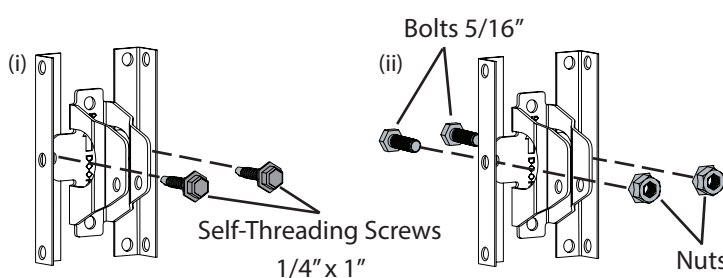
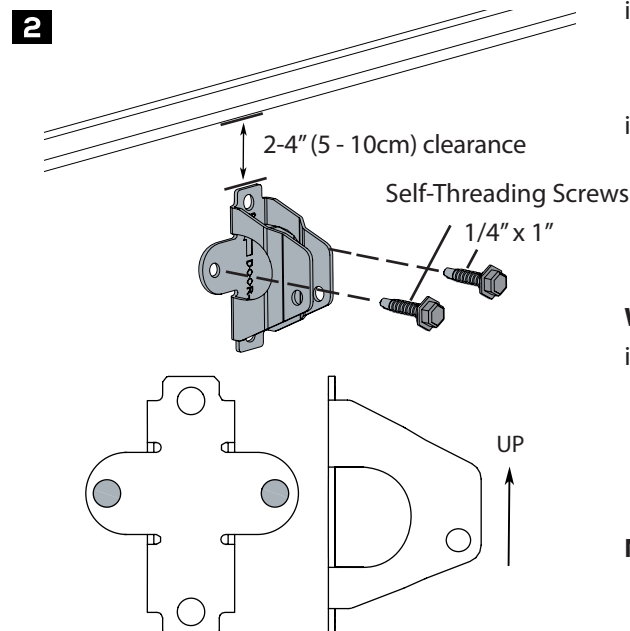
For steel / lightweight doors with vertical steel reinforcements / factory reinforced.

- Mark and drill two 3/16" holes. Make sure not to drill through the garage door. Secure the Door Bracket with two 1/4" x 1" Self-Threading Screws (provided).
- Alternative installation: Drill two 5/16" holes through the door. Secure the Door Bracket using two 5/16" Bolts, lock washers and nuts (not provided). The length of bolts will depend on the thickness of your door.

Wood door

- Mark and drill two 5/16" holes through the garage door. Secure the Door Bracket using two 5/16" carriage bolts, washers and nuts (not provided). The length of bolts will depend on the thickness of your door.

Note: DO NOT use Self-Threading Screws on a wood door.

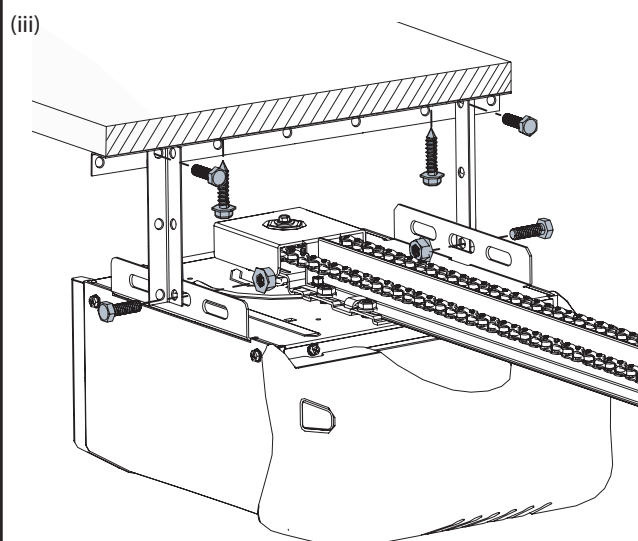
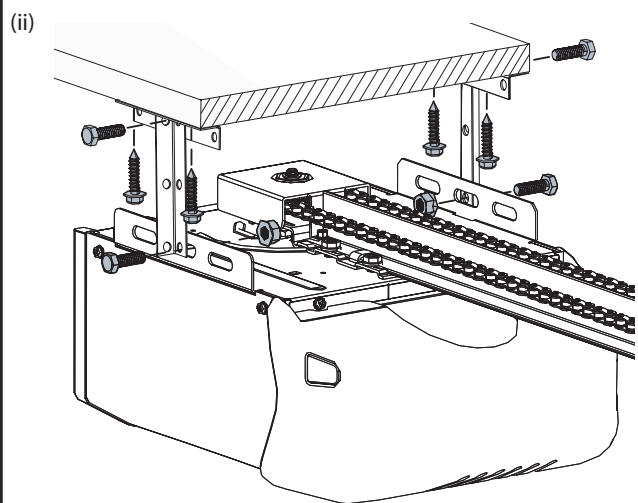
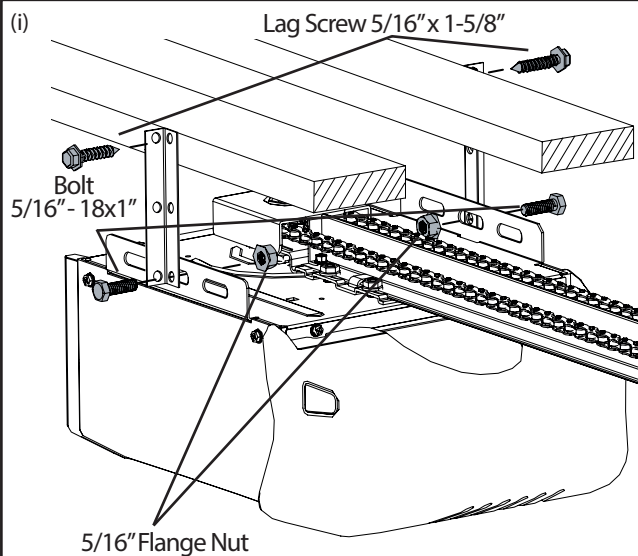


Mounting Opener to Ceiling

⚠ WARNING

To prevent SERIOUS INJURY or DEATH:

- DO NOT connect power until instructed.
- Install the Opener at least 7 feet (2.13m) above the floor.
- Fasten the Opener SECURELY to STRUCTURAL SUPPORTS of the garage to prevent falling.
- If installing Brackets to masonry, concrete anchors (not provided) MUST be used.



To Mount the Opener to Ceiling

The three most common installation options are shown below:

- Mounting the Opener directly to structural support on the ceiling.
- Mounting on a finished ceiling, with heavy duty angle iron.
- Alternative mounting on a finished ceiling, with heavy duty angle iron.

***Note: Angle iron not included.**

Determine the mounting option that works best for your application and follow installation steps below:

1. Raise the Opener and rail assembly and temporarily place it on a stepladder.
2. Position the Opener and rail assembly so that it is aligned to the center line of the garage door. If the Header Bracket was mounted off center, align the Opener with the Header Bracket.
3. Measure the distance from each side of the Opener to the structural supports.
4. Cut both Hanging Brackets* to appropriate length.
*(Hanging Bracket not included)
5. Drill 3/16" holes in the structural supports.
6. Secure one end of each of the Hanging Brackets to the structural supports using 5/16" x 1-5/8" Lag Screws (provided).
7. Secure the Opener to the Hanging Brackets and secure each side with a 5/16"-18x1" Bolt and Flange Nut (provided).
8. Move the door manually to check clearance between highest point of travel of the door and rail. If the door hits the rail, raise the Header Bracket or adjust the mounting of Opener.
9. Remove the ladder ONLY when the Opener is securely mounted to the structural supports.

Attaching Door Arms

⚠ WARNING

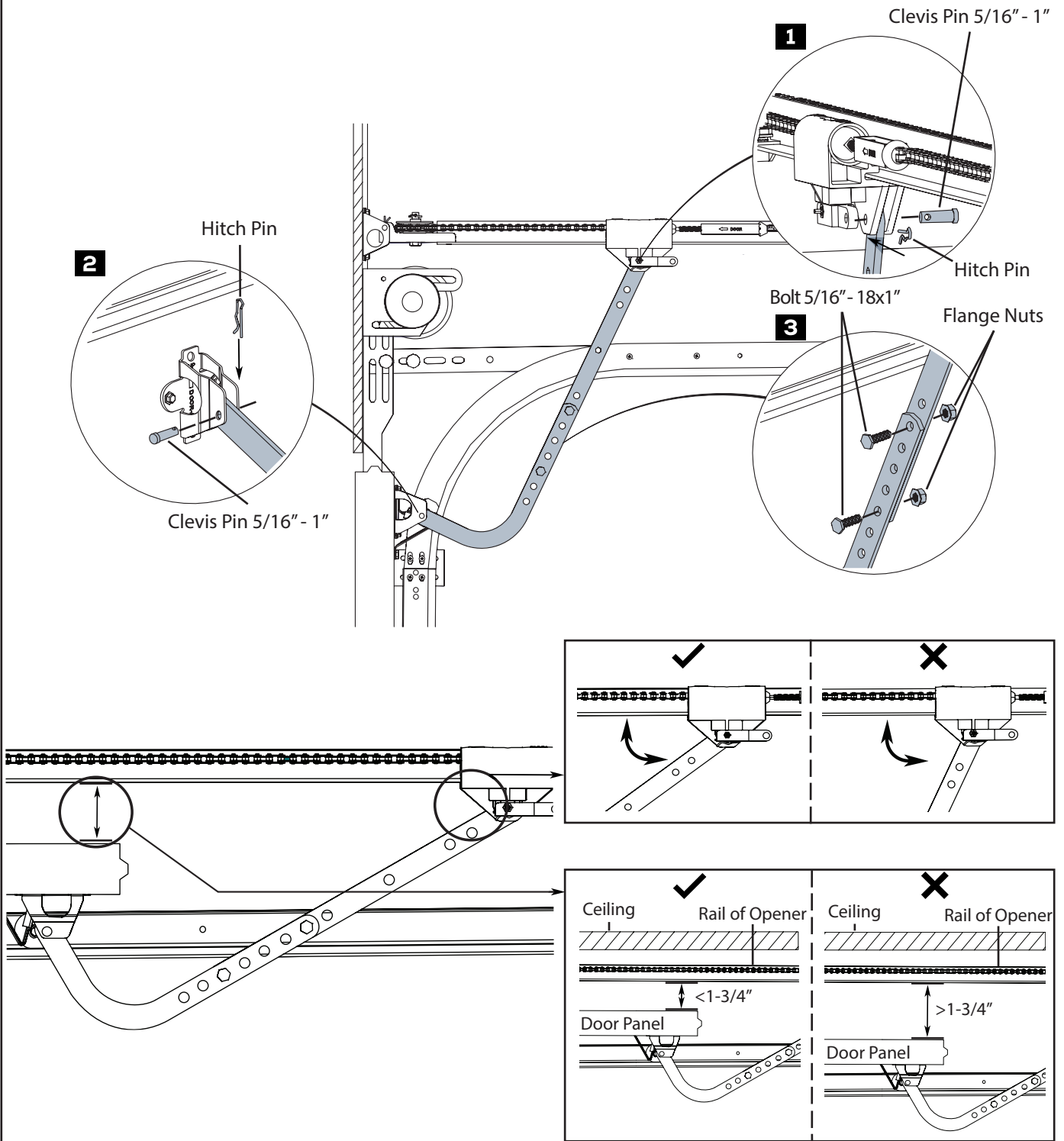
To prevent **SERIOUS INJURY**:

- DO NOT connect power until instructed.
- Keep hands and fingers away from the sprocket during operation.
- Wear gloves when installing chain/belt and cable.
- Keep hands and fingers away from joints and possible sharp edges.



To Connect Door Arm

1. Fasten the Straight Door Arm to the Trolley with a 5/16" - 1" Clevis Pin and lock it with a Hitch Pin.
2. Fasten the Curved Door Arm to the Door Bracket with 5/16" - 1" Clevis Pin and lock it with a Hitch Pin.
3. To connect the Door Arms together, choose two pairs of holes which are as far apart as possible. Fasten the arms using two 5/16" - 18 x 1" Bolts and Flange Nuts.



Installing Light

⚠ WARNING

To prevent SERIOUS INJURY or DEATH from electrocution:

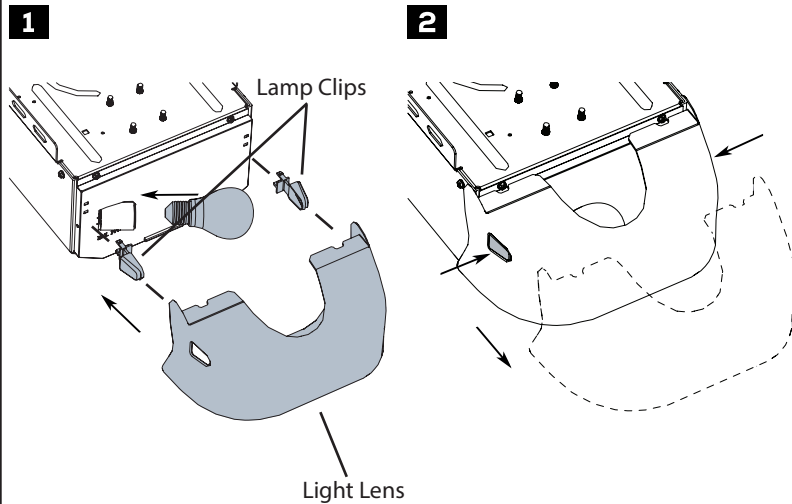
- Disconnect power cord before installing / replacing light bulb.

To prevent possible OVERHEATING or damage to Opener:

- Use ONLY A19 (E26) incandescent bulbs (100W max.).

- DO NOT use short neck or specialty light bulbs.

- DO NOT use halogen bulbs



1. To install light bulb:

- Attach two clips to the lamp plate.
- Install a standard A19 (E26) 100 watt maximum light bulb.
- Attach the Light Lens.

2. To replace light bulb:

- Press the release buttons and detach it from the Opener.
- Replace light bulb and reattach the Light Lens.

Note: When replacing the light bulb, make sure the bulb on the Opener has cooled down to prevent injury.

⚠ WARNING

To prevent SERIOUS INJURY or DEATH from a falling garage door:

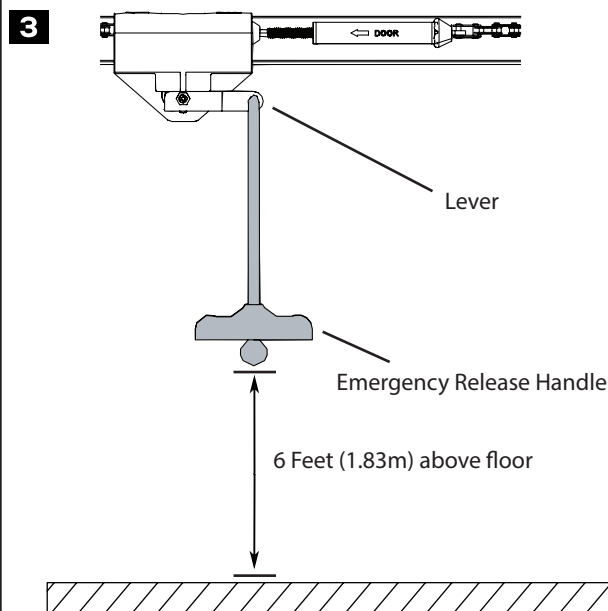
- In case of power failure or door obstruction, PULL EMERGENCY HANDLE to release door from Opener.

- When Emergency Release is in the released position, the door can be operated manually.

- To reconnect, flip the lever on the Trolley towards Opener, back to Connect position, it will reconnect automatically upon pressing Door Control Console or Remote Control.

- DO NOT use Emergency handle to pull the door open or closed.

Installing Emergency Release Handle



Safety Notice

Mount the emergency release within reach, but at least 6 feet above the floor and avoiding contact with vehicles to avoid accidental release.

3. To attach the Emergency Release Handle:

- Thread one end of the rope through the hole of the Emergency Release Handle and secure with an overhand knot.
- Thread the other end of the rope through the hole in the Trolley lever.
- Measure the rope length so that the handle is 6 feet (183cm) above the floor and is clear from the top of your vehicle. Secure with a overhand knot.

Wiring Instructions

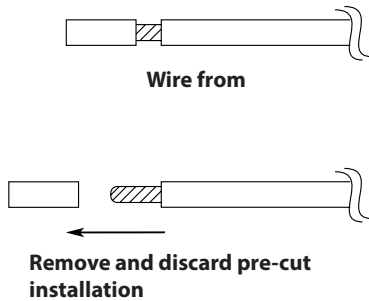
⚠ WARNING

To prevent SERIOUS INJURY or DEATH from electrocution:

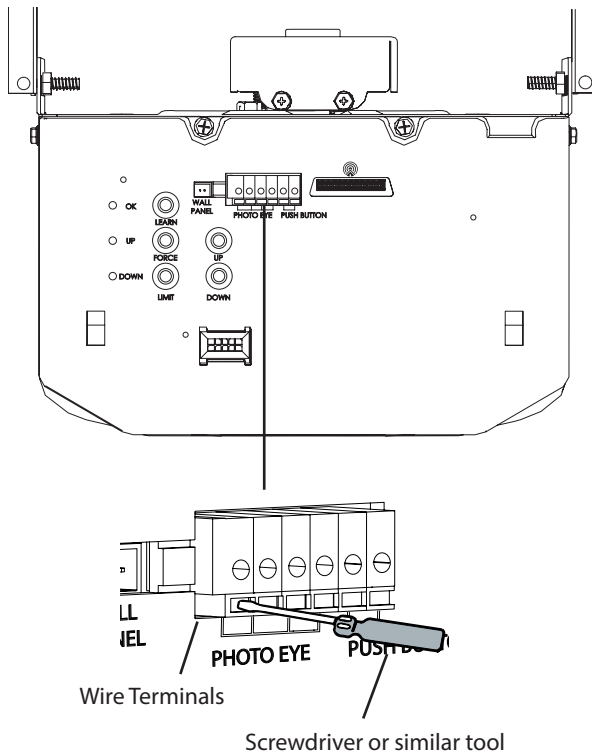
- Power **MUST NOT** be connected until instructed.
- **NO** exposed part of the wire should be visible outside of the terminal for proper connection.



1



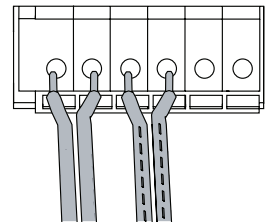
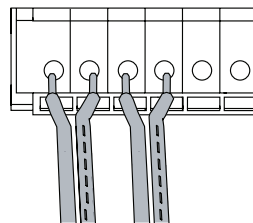
2



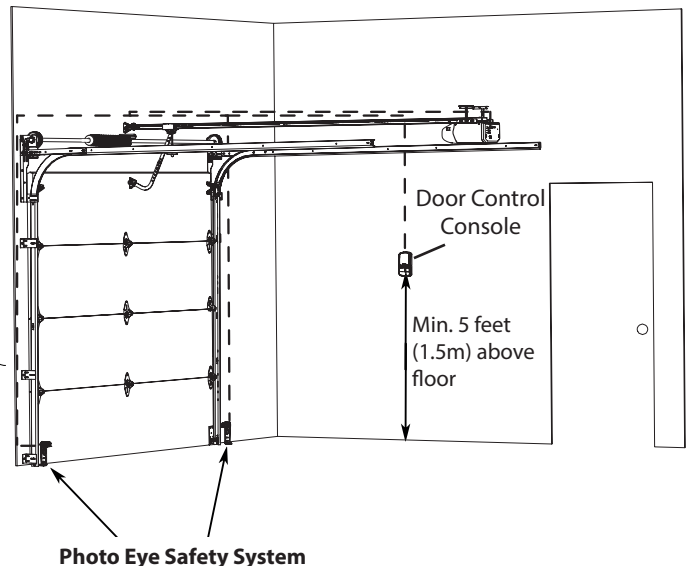
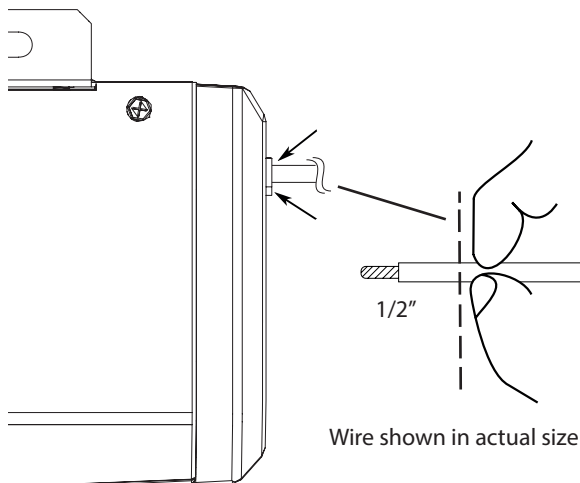
In the following section, the Photo Eye Safety System and Push Button will be connected to the Opener. Please read and understand the wiring instructions before connecting wires.

1. Remove the pre-cut installation on the open end of wire from accessories.
2. To connect a wire to an assigned terminal, use a small "flat head" screwdriver to push in the orange tab on the Wire Terminal.
3. Insert approximately 1/2" (13mm) of the wire into the terminal while pushing in the tab.
4. Each accessory requires a pair of terminals, Each pair of terminals **MUST** be connected with one white wire and one striped wire (non-polarized) from the **SAME** accessory.
5. Check for proper connection by gently pulling on the wire. The wire should not come out of the terminal. **NO** exposed part of the wire should be visible outside of the terminal.
6. Use insulated staples to secure the wires to the wall and / or ceiling. Be careful not to damage the wires while securing the staples.

4



3



Connecting Photo Eye Safety System

⚠ WARNING

To prevent possible **SERIOUS INJURY** or **DEATH**:

- Power **MUST NOT** be connected **BEFORE** Photo Eye Safety System is connected and aligned.
- The Opener will not operate until the Photo Eye Safety System is properly connected and aligned.
- Install the Photo Eyes **NO** higher than 6" (15cm) above the floor. No part of garage door or other objects should obstruct the Photo Eye Safety System during door-closing.

About Photo Eye Safety System

The Photo Eye Safety System provides protection against entrapment while the door is closing. When properly connected and aligned, the emitter Photo Eye emits an invisible infrared light beam while the sensor Photo Eye monitors that beam. If the beam is obstructed during door-closing, the entrapment protection will be triggered, the door will stop and reverse to the open position. The operator will beep for 20 times indicating an obstruction.

Installing The Photo Eye Safety System

1. Wall-mounting

- Place the Photo Eyes facing each other on each side of the garage door. Position the sensors so they are no higher than 6" (15cm) above the floor.

Note: Wire lengths for operator-side and opposite-side photo-eyes.

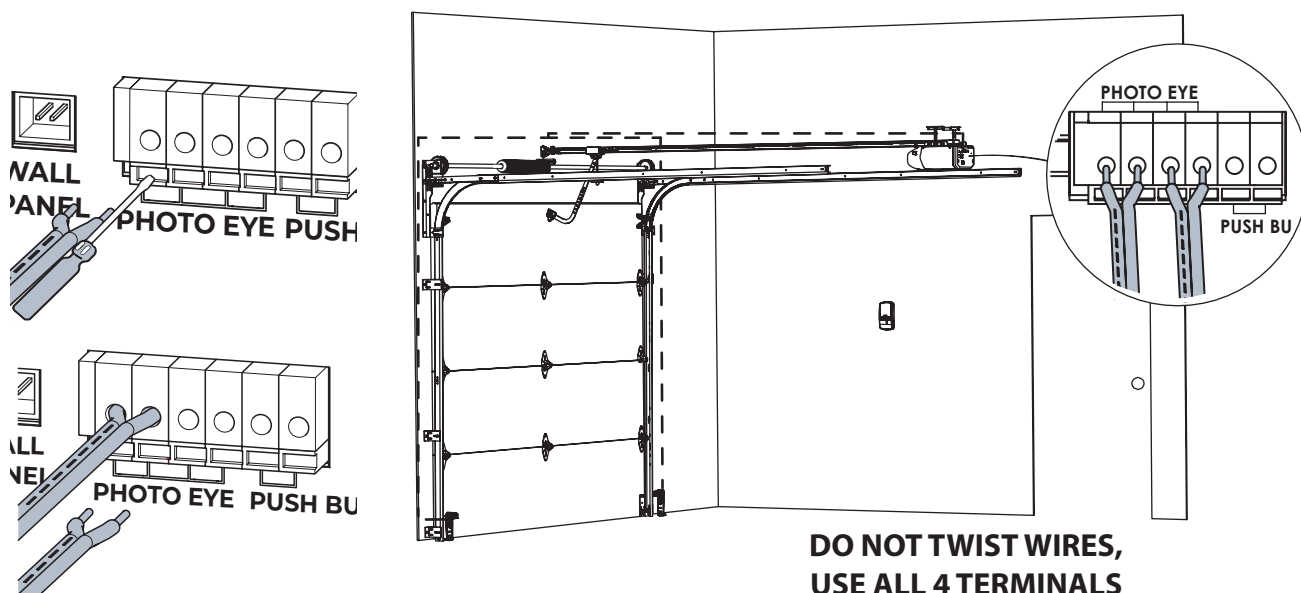
- Drill 3/16" holes using the mounting holes on the Bracket as a template. Secure with 1/4" x 1" Lag Screws.
- Adjust the position, loosen the wing nut, disassemble the Bracket and move the Photo Eye to the lower position on the holder.

2. Alternative Floor-mounting.

- Place the Photo Eyes facing each other on each side of the garage door.
- If attaching to concrete, secure the Photo Eyes using concrete anchors and bolts (not provided).
- If necessary, align the Photo Eyes by loosening the wing nut.



Cut and discard excess wire. Use small flat head screwdriver to push in gray tab on the terminal block located on the rear panel of the power head. Insert 1/2 inch (1.2 cm) of the wire into the terminal while pushing in the tab.



Connecting Deluxe Door Control Console

⚠ WARNING

To prevent possible SERIOUS INJURY or DEATH.

- Power MUST NOT be connected until instructed.

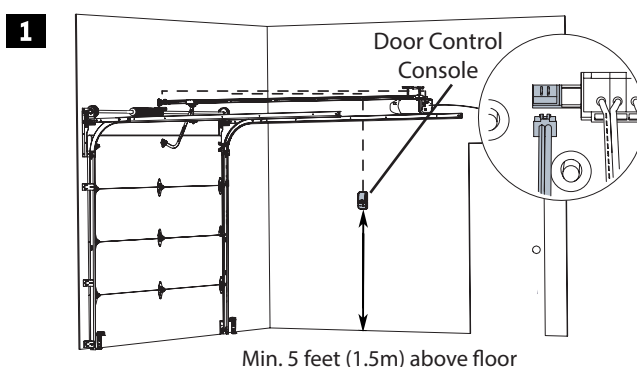
To prevent SERIOUS INJURY or DEATH from using the Deluxe Door Control Console and a closing door:

- Install the Deluxe Door Control Console or Push Button within sight of the door at a minimum height of 5 feet (1.5m) above the floor. Make sure it is out of the reach of children and moving parts of door and hardware.
- NEVER permit children to access the Deluxe Door Control Console or Remote Controls.
- Operate the door ONLY when it is adjusted properly with no obstructions present and is in clear sight.
- ALWAYS keep a moving door in sight until it's completely closed.
- NEVER cross the path of a moving door.

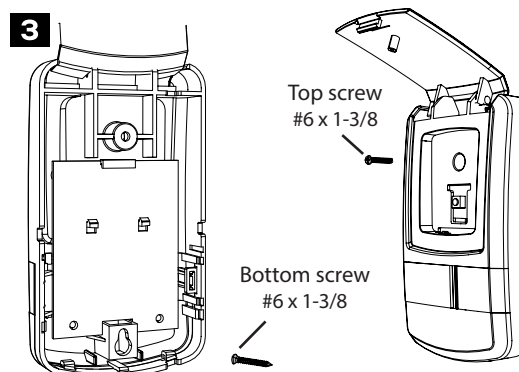
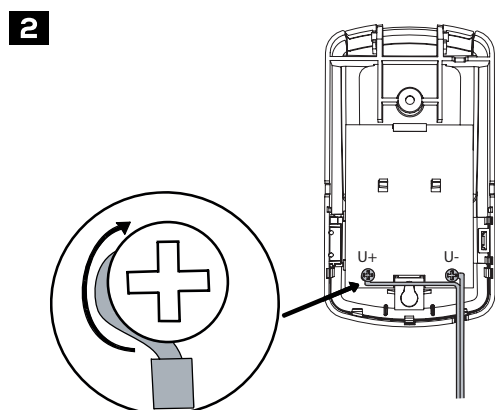
The Deluxe Door Control Console is a wired, illuminated door control placed inside your garage.

To install the Deluxe Door Control Console:

1. Connect the plug from the Deluxe Door Control Console to the "Wall Panel" outlet on the control panel of the opener. Run bell wire to location where console will be mounted.
2. Fasten white wire to U+ terminal. Fasten striped wire to U- terminal.
3. Lift the large actuator cover on door the control console and the upper screw post is exposed. Position the Deluxe Door Control Console at minimum height of 5 feet (1.5m) above the floor to keep out of the reach of children, within sight of door and free from any moving parts on the door. Mark the position of both upper screw post and lower screw hole on the Deluxe Door Control Console. Fasten the bottom screw to a solid surface with #6 x 1 - 3/8" screws. If attaching to drywall or other hollow surface, drill 3/16" holes and use the provided drywall anchors. Align the bottom hole with the bottom screw, slide the door control down into place. Secure the Deluxe Door Control Console with the upper screw. Flip down the actuator cover back into place.

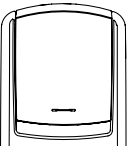

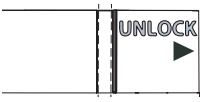
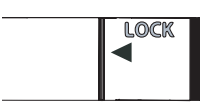


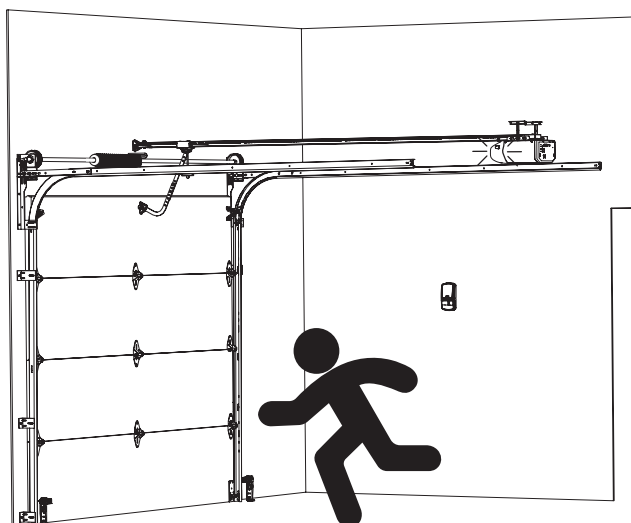
DO NOT CUT-OFF THE PLUG



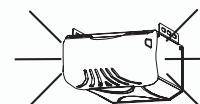
Motion Activated Security Lighting

Using the Deluxe Door Control ONLY after Installation is completed.

Buttons	Operation
	<p>Door - Press and release to open/close the door.</p>
	<p>Light -- Press and release to turn the courtesy light on / off.</p> <p>Press and hold the light button for 2s to activate / deactivate motion sensing security lighting.</p>
Vacation Lock	
	<p>Unlock - Door can be accessed by either remote controls or door button.</p>
	<p>Lock - Prevent access of door by any remote controls or door button.</p>



4.5 Min



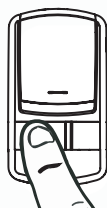
Security lighting is activated and remains on for 4.5 minutes when Garage Door Opener is operated.

Motion sensing is turned on by default and will activate security lighting when motion is detected within the garage. Security lighting will remain illuminated for 4.5 minutes or for as long as there is motion in the garage.

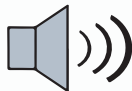
Note - if you wish to turn off security lighting when motion sensing is activated press the "LIGHT" button and security lighting will turn off and remain off for 25 seconds. If motion is detected after 25 seconds, security lighting will turn on.



2 Sec



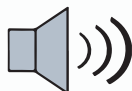
Deactivate



1 Beep



Activate



3 Beeps



To deactivate motion sensing: Press and hold "LIGHT" button for 2 seconds. The power head will beep once to indicate motion sensing has been deactivated.

To active motion sensing: Press and hold "LIGHT" button for 2 seconds. The power head will beep 3x to indicate motion sensing has been activated.

Connecting Power

⚠ WARNING

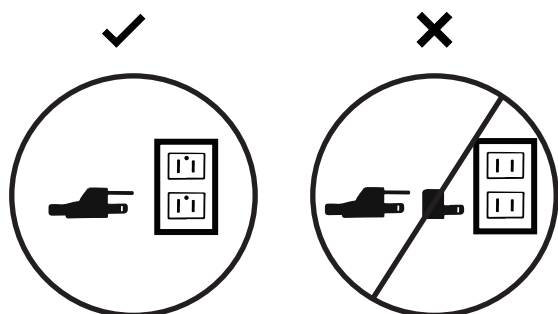
To prevent possible **SERIOUS INJURY** or **DEATH FROM ELECTROCUTION** or **FIRE**:

- Power **MUST** be **DISCONNECTED BEFORE** proceeding with permanent wiring procedures.
- Garage Door Opener installation and wiring **MUST** be in compliance with all local electrical and building codes. Make sure the Opener is **ALWAYS** grounded.
- **NEVER** use an extension cord, 2-wire adapter or modify the power plug in any way to make it fit the outlet.

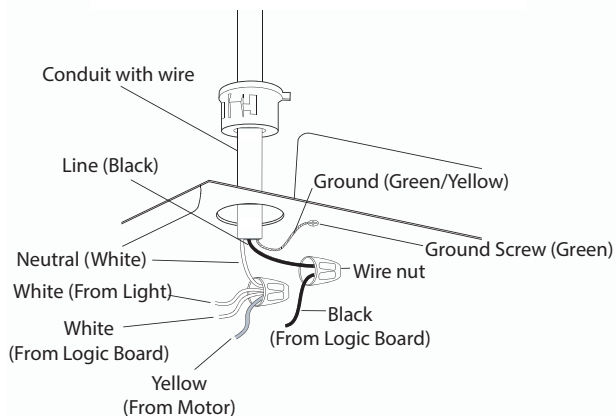
To prevent **SERIOUS INJURY** or **DEATH** from a closing garage door:

- The Photo Eye Safety System **MUST** be installed **BEFORE** connecting power.
- The Photo Eye Safety System **MUST** be properly connected and aligned **BEFORE** operating the Opener.

Ordinary Power Connection



For Permanent Wiring ONLY



DO NOT OPERATE OPENER AT THIS TIME.

To Connect Power

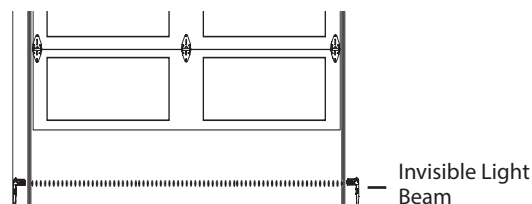
Plug the Opener into a grounded outlet **ONLY**. If there is no grounded outlet present, call a qualified electrician to replace the outlet.

Permanent Wiring (If Required by Local Code)

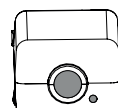
1. Remove the enclosure by removing the 6 screws located on the sides and rear of the Opener.
2. Cut the two cable pressure connectors connecting line (black) and neutral (white) wire from the power cord.
3. Remove the grounding screw connecting the green wire.
4. Remove the power cord.
5. Group neutral (white) wires from power source with 2 white wires from light cable, and logic board, and yellow wire from motor, inside the Opener. Connect them with a wire nut.
6. Group line (black) wires from power source with another black wires from logic board inside the Opener. Connect them with a wire nut.
7. Secure the ground (green or bare) wire from the power source with a grounding screw.
8. Reinstall the enclosure.
9. Turn on power supply. If the wiring is properly connected, a "click" should be heard and the light will illuminate (if a bulb is installed). If there is no response from the Opener, check power source and wiring.

To Align Photo Eye Safety System

1. When the Photo Eye Safety System is properly aligned green LED (emitter) will emit a steady green light and the red LED (sensor) will emit a steady red light. The path of the invisible light beam **MUST NOT** be obstructed. No part of the garage door or any hardware should interfere or block either sensor.
2. Green LED (emitter) will flash until it is aligned with red LED (sensor). Red LED will not illuminate until it is aligned with green LED. The emitter generates the invisible light beam, and the sensor receives the invisible light beam.

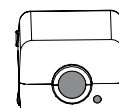


Emitter
Green LED ON



✓
Aligned
Steady Red &
Green LED

Sensor
Red LED ON



Travel Limit Adjustment UP

⚠ WARNING

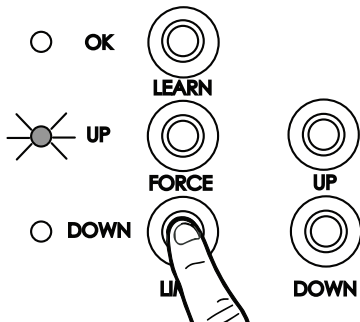
To prevent SERIOUS INJURY or DEATH from improper Force Adjustment:

- DO NOT adjust force manually to compensate for binding or sticking of the garage door. Call a qualified garage door service technician to make necessary adjustments in case of binding.
- DO NOT manually increase the force required for closing the door.
- After ANY adjustments, Safety Reversal Test MUST be performed to ensure the door reverses on contact with a 1-1/2 inch (3.8 cm) high object (2x4 laid flat).

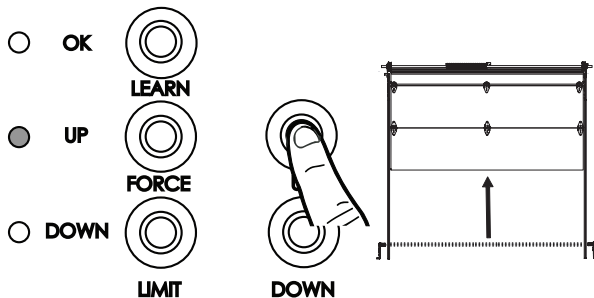


NOTICE: Travel limits and auto force setting must be set for the Opener to work. The Opener will beep 5 times if it is operated without programming.

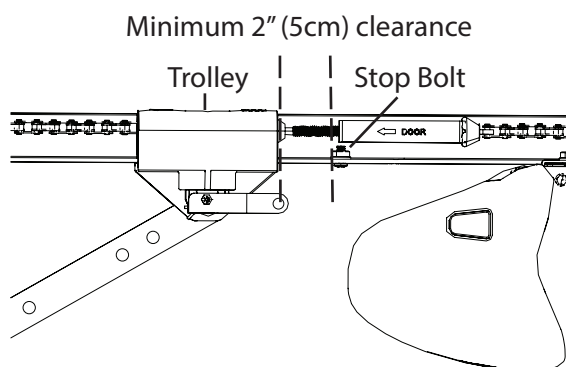
1



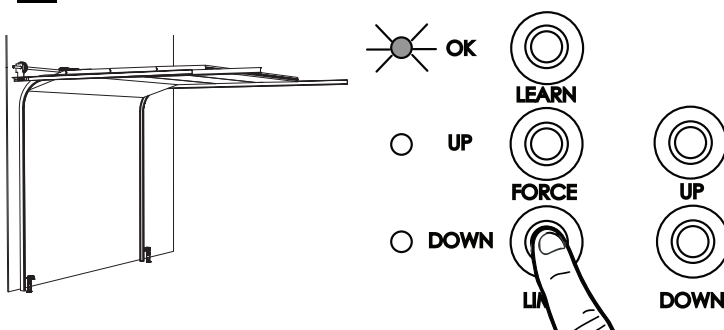
2



3



4



About Travel Limit Adjustment

Limit Adjustments regulate the fully-open (UP limit) position and fully-closed (DOWN limit) position, at which the door will stop when opening and closing.

Make sure the trolley is engaged before proceeding adjustments.

Setting UP Limit

1. Press "LIMIT" button once to enter Travel Limit Adjustment. "UP" indicator (green) will turn on*.
* NOTE: Once you have pressed and released the "Limit" button, the "UP" light will stay for 20 seconds for you to press the "UP" button and begin programming. If the "UP" light goes out before you are finished you need to start over.
2. Press & hold the "UP" button, the door travels up. You may use both "UP" or "DOWN" buttons to toggle the door to the desired UP limit position.
3. Make sure there is enough clearance for your vehicle(s), and there is a minimum 2" (5cm) gap between Trolley and Stop Bolt.
4. Once the door is at the desired UP limit position, press "LIMIT" button once, "OK" indicator (orange) flashes and goes off. The UP limit is set.

Travel Limit Adjustment DOWN

⚠ WARNING

To prevent SERIOUS INJURY or DEATH from improper Force Adjustment:

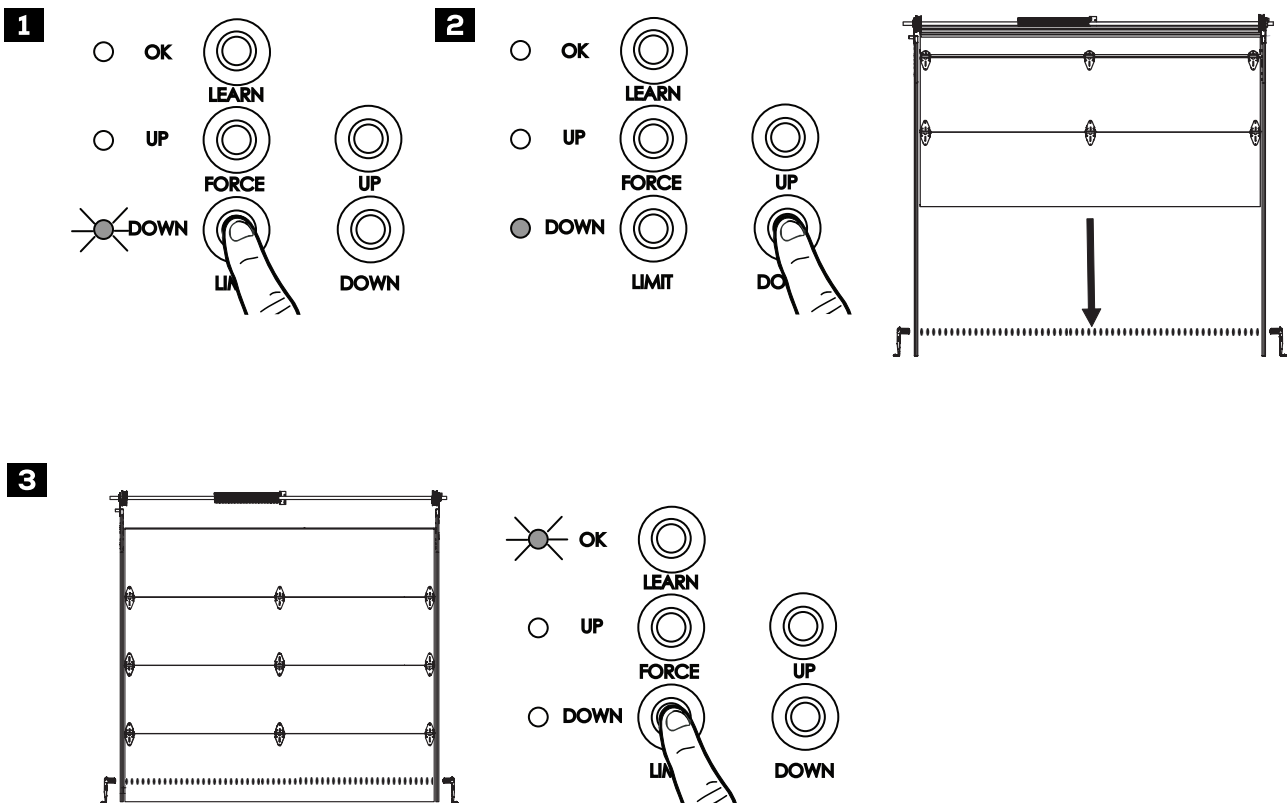
- DO NOT adjust force to compensate binding or sticking of the garage door. Call a qualified garage door service person to make necessary adjustments in case of binding.
- DO NOT increase force beyond minimum force required for closing the door. Too much force will cause improper operation of safety reversal mechanism.
- After ANY adjustments, Safety Reverse Test MUST be performed to ensure the door reverses on contact with a 1.5" high object (2x4 laid flat).

CAUTION: WHILE SETTING THE DOWN LIMIT, CAREFULLY WATCH DOOR TRAVEL DISTANCE. RELEASE BUTTON WHEN THE DOOR MAKES CONTACT WITH THE GROUND!

Setting DOWN Limit

1. Press "LIMIT" button twice to enter DOWN-limit setting. "DOWN" indicator (red) will turn on*.
*NOTE: Once you have pressed and released the "LIMIT" button, it will stay for 20 seconds for you to press the "DOWN" button and begin programming. If the "DOWN" light goes out before you are finished you need to start over.
2. Press & hold the "DOWN" button, the door travels down. You may use both "UP" or "DOWN" buttons to toggle the door to the desired DOWN limit position.
3. Once the door is at the desired DOWN limit position, press "LIMIT" button once, "OK" indicator (orange) flashes and goes off. DOWN limit is set.

Both "UP" and "DOWN" (green and red) indicators are now on, indicating that both UP and DOWN limits are set, and the opener is ready for Auto Force Adjustment.



Auto Force Adjustment

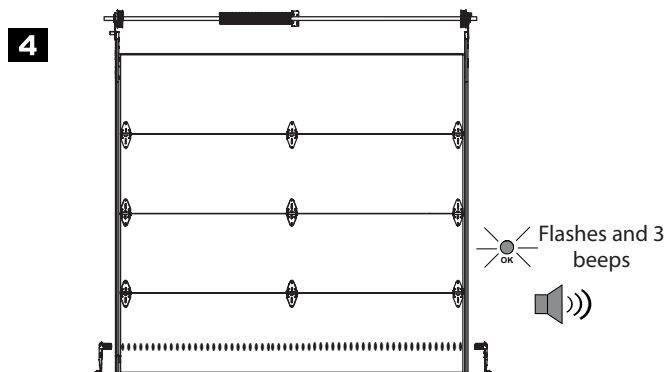
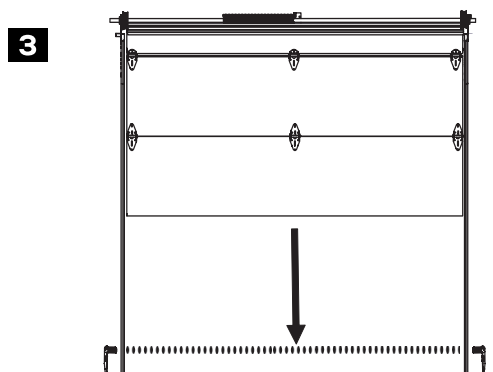
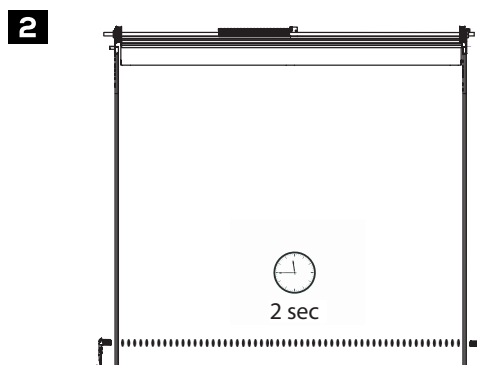
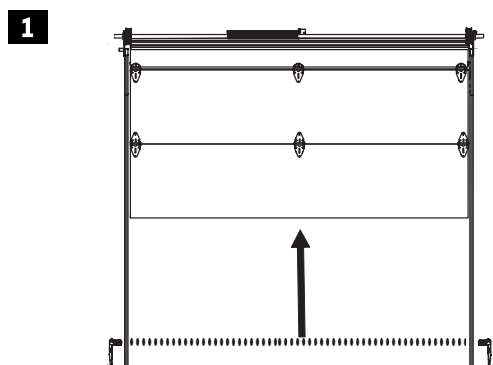
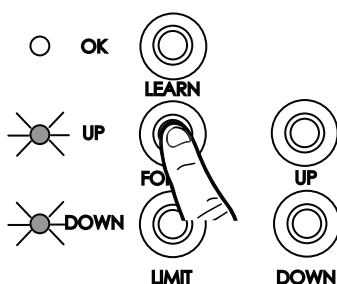
⚠ WARNING

To prevent possible SERIOUS INJURY or DEATH:

- DO NOT adjust force to compensate binding or sticking of the garage door. Call a qualified garage door service technician to make necessary adjustments in case of binding.
- DO NOT increase force beyond minimum force required for closing the door. Too much force will cause improper operation of safety reversal mechanism.
- After ANY adjustments, Safety Reverse Test MUST be performed to ensure the door reverses on contact with a 1.5" high object (2x4 laid flat).

Following the limit-setting, the unit is now ready to automatically adjust the forces for opening and closing the door. Proceed with the following steps to complete adjustment.

1. With both "UP" and "DOWN" indicators ON, after Travel Limit Adjustment, press the "FORCE" button once to enter Auto Force Adjustment.
2. The door will travel up automatically (image 1) and stop at UP limit for 2 seconds (image 2). Door will then travel down automatically (image 3) and stop at down limit (image 4).
3. The "OK" indicator (orange) will flash, three beeps will be heard, indicating the completion of the Auto Force Learn sequence. The limit and force programming has been completed.



Final Adjustments and Testing

⚠ WARNING

To prevent SERIOUS INJURY or DEATH from a closing garage door:

- The Safety Reversal Test MUST be conducted ONCE A MONTH.
- NO ONE should cross the path of and moving door during operation and / or testing.
- After ANY adjustments to the door system, the Safety Reversal Test MUST be performed to ensure the door reverses on contact with a 1-1/2 inch (3.8 cm) thick (2x4 laid flat) object.
- The Photo Eye Safety System MUST be properly aligned, and tested regularly.



Testing the Safety Reverse System

The Safety Reverse System prevents the door from closing when an obstruction is present.

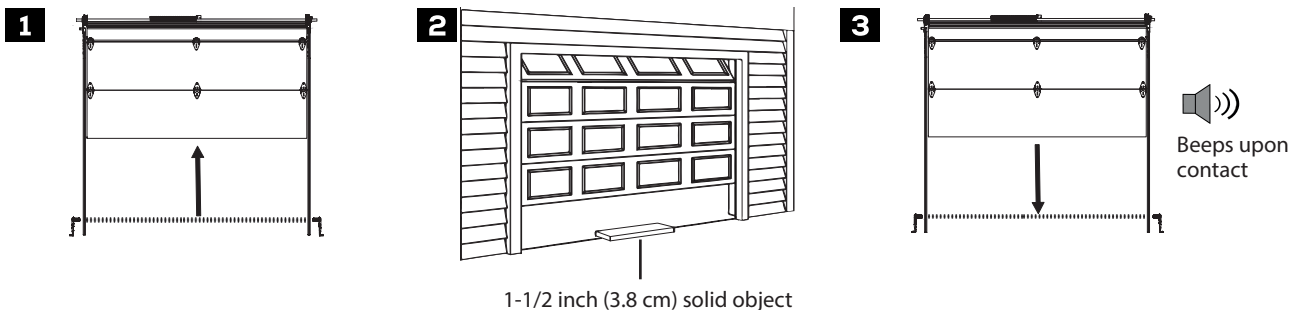
1. Open the door by using the Door Control Console.
2. Place a 1-1/2" (3.8cm) thick solid object (or 2x4 laid flat) on floor under the center of garage door.
3. Keeping the door in sight, use the Door Control Console to close the door.
4. The door MUST REVERSE and beep within 1.5 seconds upon striking the object, and stop at the full open position.
5. The Safety Reverse System works properly and the opener is ready to use.

If the door fails to reverse upon contact with obstruction, adjust the Opener as follows:

The travel distance maybe inadequate, slightly increase the DOWN limit.

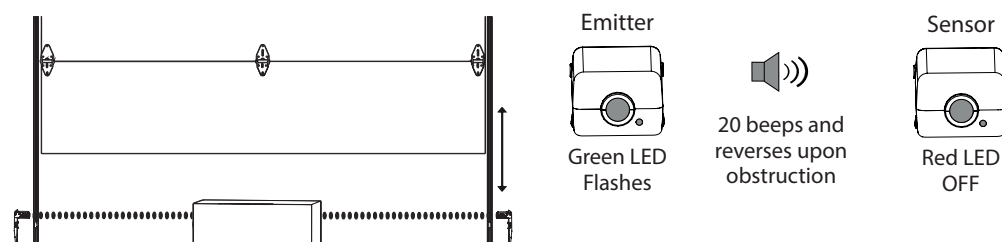
Conduct the test again. If the door reverses on contact, remove the object and run at least 3 COMPLETE travel cycles to ensure proper adjustment.

If the Opener still fails the Safety Reverse Test, call a qualified technician for door adjustment.



Testing the Photo Eye Safety System

1. Open the door by using the Door Control Console.
2. Make sure both Photo Eyes steadily emit the green and red indicator lights. (If not, check alignment).
3. Place an object under the door about 8" (20cm) high by 12" (30cm) wide (the Opener carton can be used).
4. The green indicator light on the emitter eye should flash.
5. The red indicator light on the sensor eye should be dimmed.
6. Keep the door in sight and use the Door Control Console to try to close the door.
7. The door should NOT move more than 1" (2.5cm) and the Opener will beep 20 times.



Programming Remote Controls

WARNING

To prevent possible SERIOUS INJURY or DEATH:

- Keep remote control and battery out of reach of children.
- NEVER permit children to access the Deluxe Door Control Console or Remote Controls.
- Operate the door ONLY when it is properly adjusted, and there are no obstructions present.
- ALWAYS keep a moving door in sight until completely closed. NEVER cross the path of a moving door.

To reduce risk of fire, explosion or electric shock:

- DO NOT short circuit, recharge, disassemble or heat the battery.
- Dispose of batteries properly.

To Program Remote Control (s):

1. Press/release the "LEARN" button once on the control panel, "OK" LED will glow and beep. The unit is now ready to accept a remote control in the next 30 seconds.
2. Press/release any desired button on the Remote Control.
3. The "OK" LED will flash and beep twice indicating Remote Control is stored successfully.

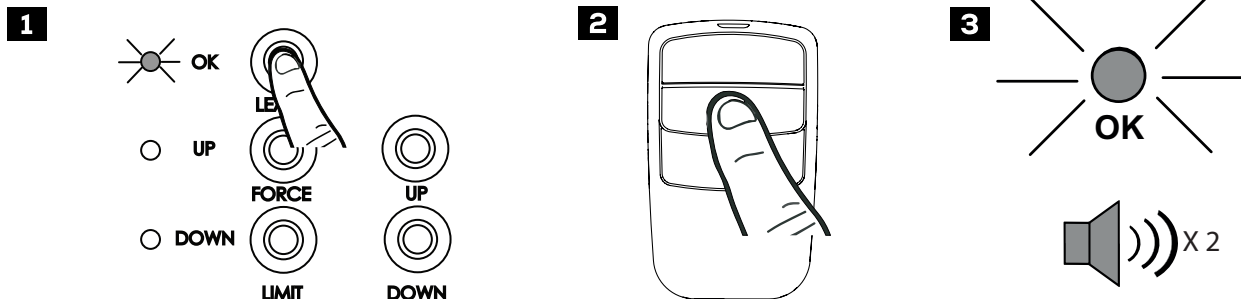
Up to 20 Remote Controls (including wireless keypad codes) can be added to the unit by repeating the above procedure. If more than 20 Remote Controls are stored, the first stored Remote Control will be replaced (i.e. the 21st Remote Control replaces the 1st stored Remote Control) and will beep 5 times.

*If the courtesy light is already on, it will flash once and stay illuminated for 30 seconds.

**If a Remote Control is not accepted, the courtesy light will stay on for 30 seconds, beep 4 times and then stay on for 4-1/2 minutes. Retry programming the Remote Control by repeating the steps above.

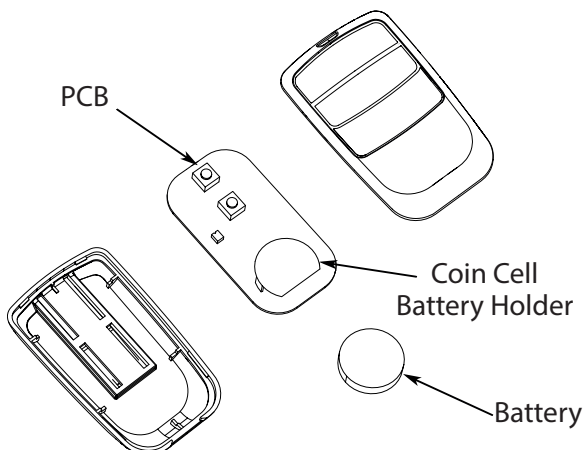
Removing ALL Remote Controls:

To remove ALL Remote Controls from memory, press and hold the "LEARN" button for 3 seconds. The "OK" LED will flash and beep 3 times indicating ALL Remote Controls have been removed from memory.



Replacing Remote Control Battery:

When the battery of the Remote Control is low, indicator light will become dim and / or the range of the Remote Control will decrease. To replace the battery, pry open the Remote Control using the visor clip or small screwdriver. Replace with a CR2032 battery. Snap the housing back together.



This device complies FCC Rules for HOME OR OFFICE USE. Operation is subject to the following two conditions: (1) this device may not cause harmful interference, and (2) this device must accept any interference received, including interference that may cause undesired operation.

Important Safety Instructions

IMPORTANT SAFETY INSTRUCTIONS

⚠ WARNING

To reduce the risk of severe injury or death:

1. READ AND FOLLOW ALL INSTRUCTIONS.
2. Never let children operate or play with door controls. Keep the remote control away from children.
3. Always keep the moving door in sight and away from people and objects until it is completely loose. NO ONE SHOULD CROSS THE PATH OF THE MOVING DOOR.
4. NEVER GO UNDER A STOPPED, PARTIALLY OPEN DOOR.
5. Test door opener monthly. The garage door MUST reverse on contact with a 1-1/2-inch high object (or a 2 by 4 board laid flat) on the floor. After adjusting either the force or the limit of travel, retest the door opener. Failure to adjust the opener properly increases the risk of severe injury or death.
6. Use the emergency release only when the door is closed. Use caution when using this release with the door open. Weak or broken springs are capable of increasing the rate of door closure and increasing the risk of severe injury or death.
7. KEEP GARAGE DOORS PROPERLY BALANCED. See owner's manual. An improperly balanced door increases the risk of severe injury or death. Have a qualified service technician make repairs to cables, spring assemblies, and other hardware.

SAVE THESE INSTRUCTIONS.

Unattended Operation

Any device or feature that allows the door to close without being in the line of sight of the door is considered unattended close. Installing the beam Smart Controller (V3) with the Opener and installing the beam Home app on your phone will enable smart control and unattended operation. The beam Home app control of the door, Timer-to-Close (TTC) feature, on the beam Home app, and any other Smart Garage Door Controller devices are to be used ONLY sectional doors.

⚠ WARNING

- **INGESTION HAZARD: DEATH** or serious injury can occur if ingested.
- A swallowed button cell or coin battery can cause **Internal Chemical Burns** in as little as **2 hours**.
- KEEP new and used batteries **OUT OF REACH OF CHILDREN**
- **Seek immediate medical attention** if a battery is suspected to be swallowed or inserted inside any part of the body.

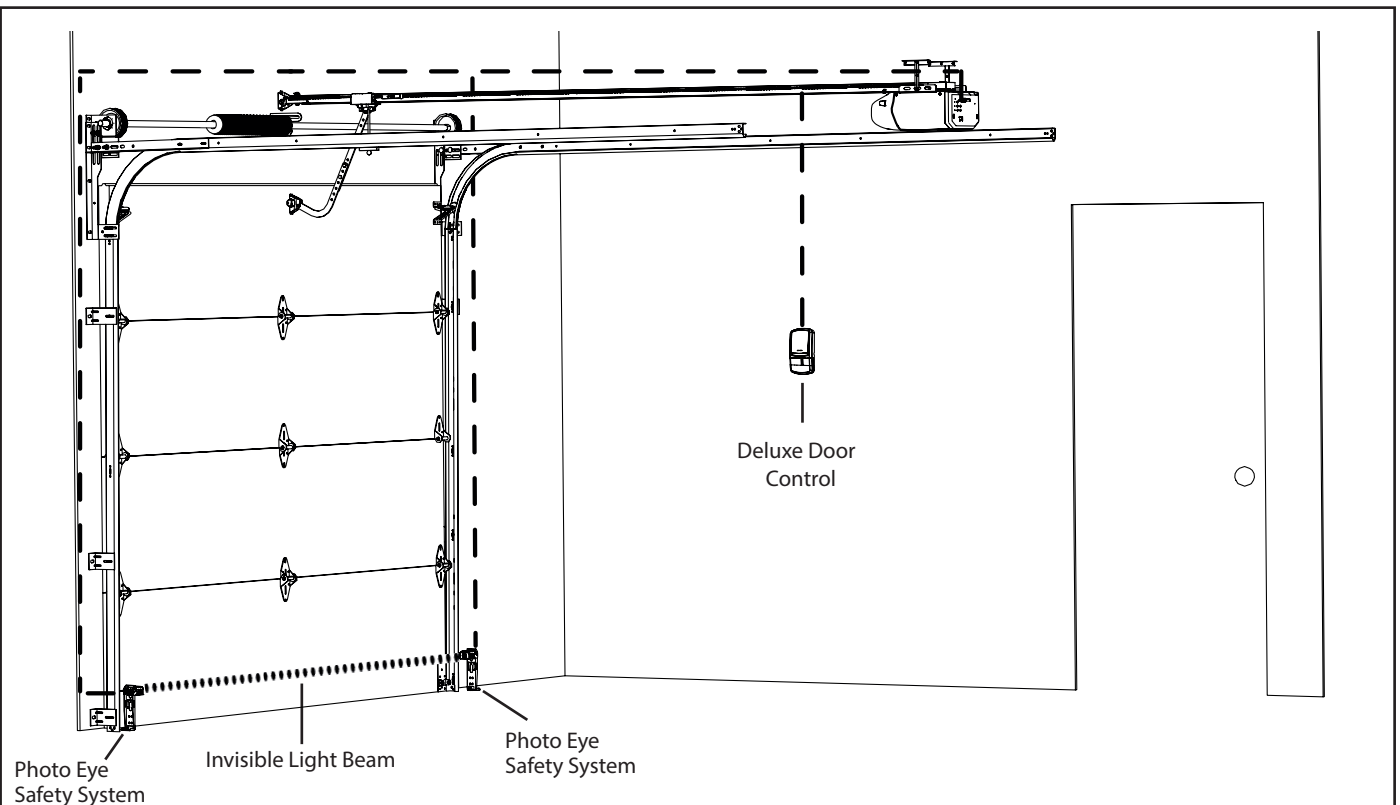


Operating the Opener

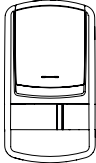


⚠ WARNING

To Prevent SERIOUS INJURY or DEATH:

- READ AND FOLLOW ALL INSTRUCTIONS AND WARNINGS IN THE OWNER'S MANUAL AND LABELS.
- Keep Remote Control and battery out of reach of children.
- NEVER permit children to access the Door Control Console, Push Button or Remote Controls.
- Operate the door ONLY when it is properly adjusted, and there are no obstructions and is in clear sight.
- ALWAYS keep a moving door in sight until completely closed. NEVER cross the path of a moving door.
- If Travel Limit adjustments are made, a Force Adjustment may also be needed.
- After ANY adjustments, the Safety Reverse Test MUST be performed to ensure the door reverses on contact with a 1-1/2" thick object (2x4 laid flat).
- ALWAYS ensure that your door is balanced and in good working condition.
- Unattended operation features should only be used with a section door. DO NOT install on a one-piece door if use of unattended operation feature is planned.



Activating the Opener

Controls	Operation
	<p>Press and release the large "ACTUATOR" button on the Deluxe Door Control Console, the door will begin to move the door as follows:</p> <ul style="list-style-type: none"> • Open from closed position or close from opened. • Stops and reverses the door while it is closing. • Stops the door while it is opening.
	<p>Remote distance up to 100 feet in open field. For safety concerns, the handheld remote control WILL NOT work if the Photo Eye Safety System is not properly installed and aligned or if vacation lock is activated.</p>
	<p>Program the Wireless Keyless Entry Keypad accordingly and access the door using the PIN code.</p>

Operating the Opener

⚠ WARNING

To prevent SERIOUS INJURY or DEATH:

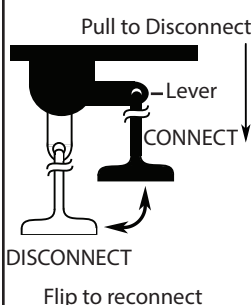
- Use emergency release to disconnect the motor ONLY when the door is CLOSED to prevent unexpected rapid falling in case of a unbalanced / poor-conditioned door.
- Use emergency release ONLY when doorway is clear of persons and obstructions.
- DO NOT use emergency release to pull the door open or closed.

Door Status vs. Activation

Door Status	Activation Using Door Control / Remote Control.
Door at fully open / close position	Door will move to fully close / open position.
Door is closing	Door will stop and reverse to fully open position.
Door is opening	Door will stop. Upon next activation the door will close.
Door is obstructed while closing	Door will reverse and beep x 25.
Door is obstructed while opening	Door will stop and beep x 25.
Door is fully opened and Photo Eye Safety System is obstructed	Door will not close and beep x 20.
Door is closing and Photo Eye Safety System is obstructed	Door will reverse and beep x 20.

Courtesy Light / Buzzer

Operation / Condition	Courtesy Light / Buzzer Responses
Opener is initially plugged-in (no travel limits stored see page 16-18)	Light flashes 5x and remains off
Reconnecting power (with travel limits stored)	Light flashes 3x and remains on for 4.5 minutes
"LEARN" button is pressed	Beep x 1, OK indicator glows
Upon activation	Light on for 4.5 minutes
Upon activation by remote controls	Beep x 1, Light on for 4.5 minutes
Remote control / keyless entry PIN code stored successfully	Beep x 2
Photo Eye Safety System is obstructed during door-closing	Beep x 20
The door is obstructed during travel	Beep x 25
Door travels with abnormal speed	Beep x 12 (1 beep / second)
Opener is operated without programming	Beep x 5
"LEARN" Timeout	Beep x 4, Light turns off



Manual Operation

In case of a power failure or door obstruction, PULL EMERGENCY Handle to release door from Opener.

To Disconnect Trolley for Manual Operation

With the door closed, pull down the emergency release handle to the DISCONNECT position. The door can be raised / lowered manually.

To Re-connect Trolley

Pull the Handle toward the Opener so that the lever will flip up to the CONNECT position. The Trolley will reconnect itself when the Opener is activated or when the door is manually opened / closed.

beam Smart Controller Installation (Optional)

⚠ WARNING

To reduce the risk of INJURY to persons:

- Disconnect ALL electric power BEFORE performing ANY service or maintenance.
- Operate the door ONLY when it is properly adjusted, and there are no obstructions present.
- Use this Smart Garage Door Controller only with Residential Sectional Garage Doors.
- Do not enable this device on a one-piece or swinging garage door.
- Do not use this device on garage door openers made before 1993 without a working Photo Safety System.

1. Install the beam Smart Controller

Before Installing the beam Smart Controller and Connecting Your Smartphone.

- Test the WiFi signal strength in your garage by placing your Smartphone near the back of the Garage Door Opener. If 2 bars or more (📶) WiFi signal is strong and will connect to the router. 1 bar or less (📶) WiFi Signal is weak. If the WiFi signal is weak, try moving your router closer to the garage. If this is not possible or does not help, install a WiFi range extending device.

*NOTE: The beam Smart Controller only operates on 2.4GHz 802.11b/g/n networks.

- Have the password of your home WiFi network.
- Have the Smartphone, tablet or notebook of the person who will be the home system manager.

d. Insert the 24-pin connector of the beam Smart Controller (Model V3) into the beam Smart port.

* NOTE: The beam Smart Controller LED will begin to flash yellow.

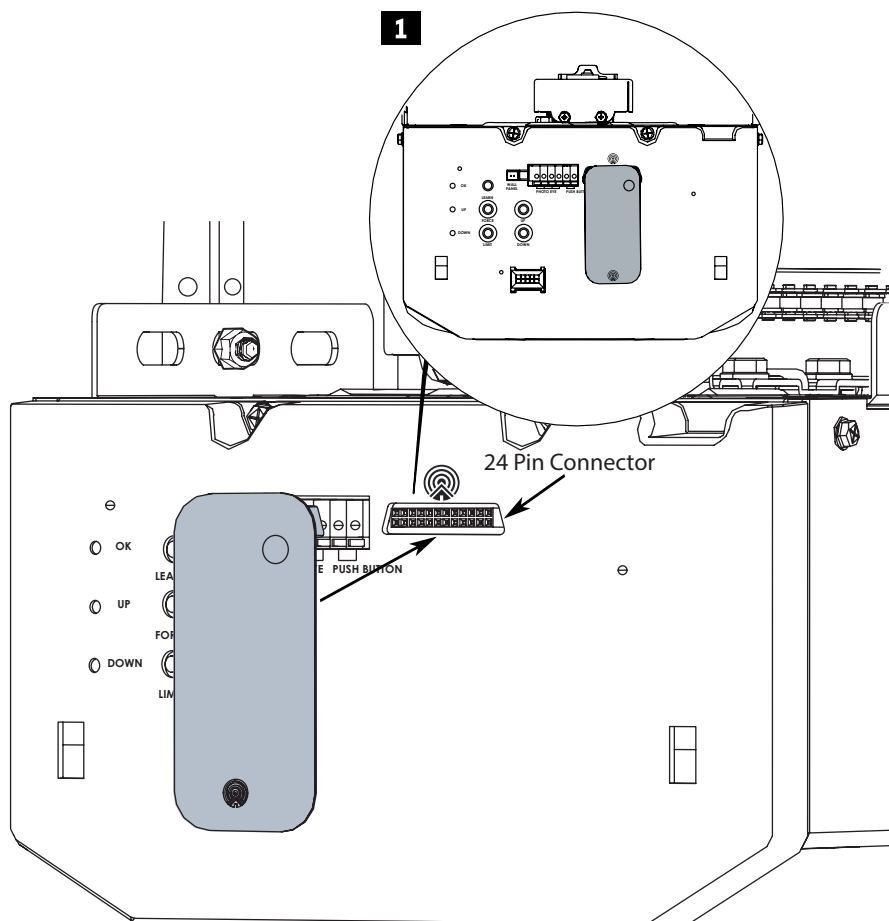
2. Download the beam Home app & begin setup

- While inside your garage download the "beam Home" app from the App Store (iOS) or Play Store (Android).



- Open the app, and select "Setup your beam". Create an account and choose the V3 (beam Smart Controller) device.

Follow the instructions on the beam Home app to complete the setup.



Installing Battery Backup (Optional in all states but California*)

⚠ WARNING

To reduce the risk of FIRE or INJURY to persons:

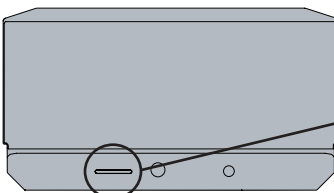
- Disconnect ALL electric and battery power BEFORE performing ANY service or maintenance.
- Use ONLY Guardian part for replacement battery.
- DO NOT dispose of battery in fire. Battery may explode. Check with local codes for disposal instructions.
- ALWAYS wear protective gloves and eye protection when changing the battery or working around the battery compartment.

Install the Battery Backup

1. Unplug the power cord from the electrical outlet.
2. Ensure that the antenna wire hangs down from the Opener so it will be positioned at the location of the slot on the lower left side of the holster.
3. Align the tabs on each side of the holster with the slots in the Opener's back panel. Push the holster into the opener. The holster plug will be inserted into the connector in the opener.
4. Secure the holster to the Opener at the points shown with two #8 x 1/2" screws provided.
5. Slide the backup battery down into the holster. Be sure that it is seated securely.
6. Plug the Opener's power cord back into the electrical outlet.
7. Proceed to testing procedures on page 20.

Note: After backup battery has been installed-slide the battery up to remove the battery from the holster to access the LEARN button to program new remote controls. Remove the holster to read programming instructions printed on the Opener's back panel next to the programming buttons.

Battery and Status



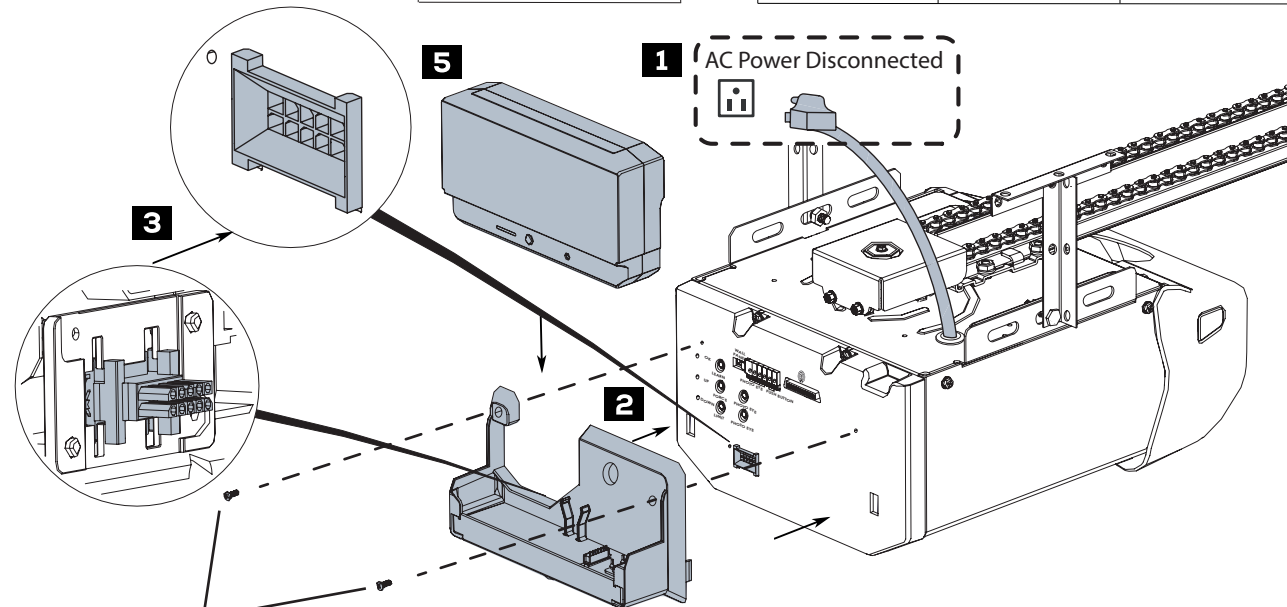
Status

Red	Green
-----	-------

Legend

- LED off
- LED glows steadily
- /
\
 LED flashes

Power mode	Status Indicators	Description
AC 120V mains	 	Battery is fully charged. The fully charge time is 24 hours.
	 / \ / \ 	Battery is being charged.
Power Outage (Battery mode)	 	The Opener is powered by battery.
	 / \ / \ 	Battery is low.
	 / \ / \ 	The Opener is operating with battery.



1 AC Power Disconnected

2 Insert the holster into the opener.

3 Align the holster with the opener's back panel.

4 Screw #8 x 1/2" (2)

5 Insert the battery into the holster.

Note: The opener will run at a slower speed and Security lighting will not turn on, when powered only by the battery.
***To comply with CA SB-969, installation of the STDBBU battery backup (STDBBUKIT) is mandatory in the state of California.**

Backup Battery Features

WARNING

- RISK OF EXPLOSIVE GASES:

To reduce risk of battery explosion, follow ALL instructions and warnings on the battery pack

- DO NOT touch eyes while working near batteries.

- NEVER smoke or allow a spark or flame in the vicinity of battery or engine.

- DO NOT drop ANY metal tools onto the battery. It might spark or short-circuit battery or other electrical part that may cause explosion.

- NEVER wear watches, rings, bracelets, or necklaces when working with car batteries. Batteries can produce a short-circuit current high enough to weld a ring or the like to metal, causing a severe burn.

Features

- LED indicators showing the battery and status.

- Built-in protection features: over current protection; short circuit protection, overload protection, over-voltage protection, over-charge protection.

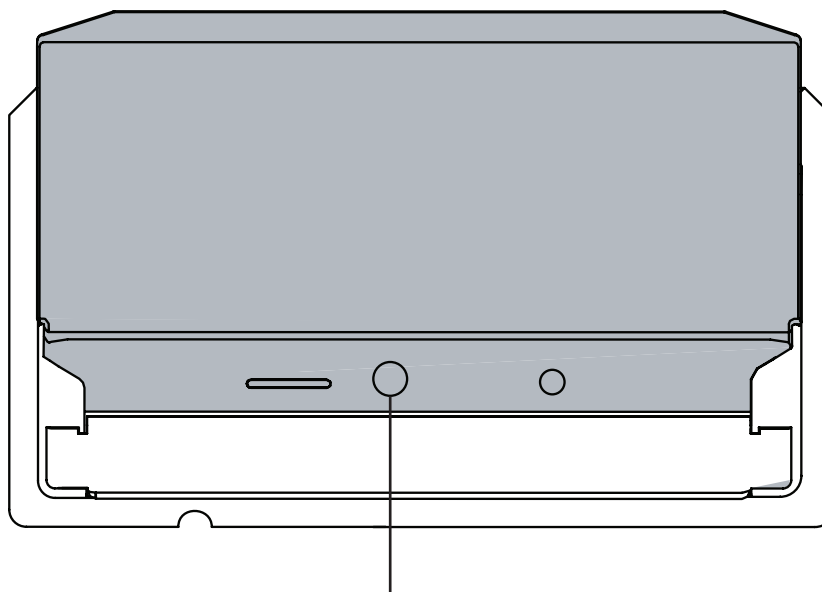
- DC power jack for pre-charging or recharging with a plug-in transformer.

- Battery power on / off button.

*NOTE:

Specification

Dimension (L x W x H)	7.2" x 3.9" x 1.7" .
Fully Charge Time	Suggested 24 hours.
Recharging Input (DC Jack)	24VDC/1A.
Cycle life	Approx. 300 cycles.
Operation Temperature	14°F - 122°F (-10°C-50°C).



The Backup Battery has an on / off button in case it is not required to be used in your Garage Door Opener.

Maintenance / Troubleshooting

Maintenance	
Schedule	Maintenance
Once a month	<p>Door Balance Test, refer to page 5. Safety Reversal Test, refer to page 20..</p> <ul style="list-style-type: none"> • Check battery. Disconnect from power. Cycle the opener using battery power only. If one full cycle cannot be completed, replace the backup battery.
Twice a year	<p>Check chain / belt tension (refer to page 6 for adjustment if necessary).</p>
Once a year	<ul style="list-style-type: none"> • Limit and Force adjustment may be necessary due to weather conditions. Refer to pages 17-20 for adjustment. Conduct Safety Reversal Test after ANY adjustments. • Lubricate door rollers, bearings and hinges. The Opener is permanently lubricated, DO NOT lubricate or grease the Opener, rail or door tracks.
Troubleshooting	
Status	Courtesy Light Flashes
3-Flashes	<p>Power reconnected to Opener with travel limits learned and stored</p> <ul style="list-style-type: none"> • Door should open / close on command.
5-Flashes	<p>Power connected to Opener without travel limits learned and stored</p> <ul style="list-style-type: none"> • Program the Opener limits. <p>Note: Opener will not program without photo-eyes properly installed. (Refer to pages 17-19 to set the travel limits & travel force).</p>
COURTESY LIGHT STAYS ON for 4.5 min.	<p>Upon activation</p> <ul style="list-style-type: none"> • Door will open / close on command.
Status & Diagnostic	Chart - Beeps
1 BEEP Learn remote control code	<p>"LEARN" button is pressed</p> <ul style="list-style-type: none"> • Proceed to program remote controls. (Refer to page 21 to program remote).
1 BEEP & LIGHT ON 4.5 minutes Remote control code received	<p>Remote control has activated the Opener</p> <ul style="list-style-type: none"> • Door should open / close.
2 BEEPS Confirmation of learned code	<p>Remote control / keyless entry PIN code accepted</p> <ul style="list-style-type: none"> • Remote control has been programmed. • If door does not operate, check Deluxe Door Control Console (if applicable) and switch vacation mode to off position.
3 BEEPS	<ul style="list-style-type: none"> • Remote control / keyless code has been removed. • Remote or keypad code has already been learned and stored.
4 BEEPS	<p>Remote control / keyless entry PIN code had not been programmed in 30 seconds.</p>
5 BEEPS Command sent, but operator has not been programmed	<p>SYMPTOM: Door does not open.</p> <ul style="list-style-type: none"> • Program or reprogram the Opener limits and travel force. (Refer to pages 17-19 to set the travel limits & travel force).
12 BEEPS Door travels with abnormal speed	<p>SYMPTOM: Door travels too fast, too slow or not at all.</p> <ul style="list-style-type: none"> • Opener may not be using the proper force to open and close the door. (Refer to pages 17-19 to reset the travel limits & travel force). SYMPTOM: During limit learn mode, if door travels only 1" to 28" then stops. • Check RPM encoder connections or replace RPM encoder (call service tech). Please contact Guardian Tech Support for further assistance.

Maintenance / Troubleshooting

<p>20 BEEPS Photo Eye System is obstructed during door-closing</p>	<p>SYMPTOM: Opener does not close door & door reverses. Red and / or green LED indicators do not illuminate or one photo eye LED flashes.</p> <ul style="list-style-type: none"> • The photo eye may be obstructed, improperly aligned or installed. • A staple may have cut through the photo eye wire and caused a short circuit. Check photo-eye wire connections at the power head. One wire/terminal, use all 4 terminals. (Refer to page 16).
<p>25 BEEPS The door is obstructed during travel</p>	<p>SYMPTOM: The door reverses upon touching the floor or stops in the up direction and beep 25 times. (Refer to pages 17-19 to reset the travel limits and the travel force). Please contact Guardian Tech Support for further assistance.</p> <p>SYMPTOM: Door travels 1" to 12" then stops, and beeps 25 times</p> <ul style="list-style-type: none"> • Remove soft settings by pressing the LIMIT and FORCE BUTTONS simultaneously for 2 seconds and reset Up / Down and Force limits.

TROUBLESHOOTING: Status & Diagnostic Chart - beeps

SYMPTOM: Opener does not respond to remote control.

- Check remote control battery.
- Program remote control. (Refer to page 21 for remote control programming instructions)
- 2 Beeps: "Vacation Lock" may be activated on Deluxe Door Control. Slide switch to unlock. (Refer to page 15).

SYMPTOM: Opener stops before reaching full open / closed position.

- Travel Limit is not properly adjusted.
Check adjustment (Conduct safety reverse test after ANY adjustment). (Refer to pages 17-20 to reverse test & travel force)
- If door is obstructed or force setting related, please count the BEEPS and refer to the "TROUBLESHOOTING: Diagnostic Chart - Beeps" (Page 28).

SYMPTOM: Door reverses unintentionally.

- Make sure the Photo Eye Safety System is aligned and clear of obstructions.
- A door spring that has relaxed, door or track alignment that has changed or a sudden change in temperature could create the obstruction sensed.
(Refer to pages 17-19 to check the travel limits & travel force)
- Check for a broken door spring
(Refer to page 5 to check the door balance)
- Call a qualified service technician to check the door or replace the spring.

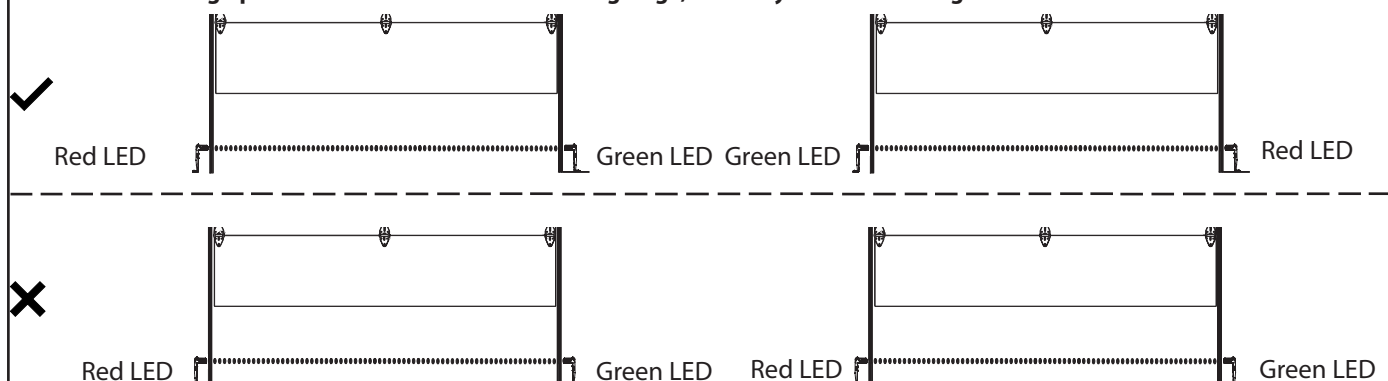
SYMPTOM: If courtesy lamp does not turn ON, replace light bulb.

- Replace light bulb (A19 incandescent Max. 100W).
- If after light bulb is replaced, and courtesy lamp still does not turn ON, replace logic board.

SYMPTOM: Courtesy light does not turn OFF.

- If Deluxe Door Control Console installed, press courtesy light on / off switch. If after pressing light on / off of Deluxe Door Control does not work, then replace logic board.

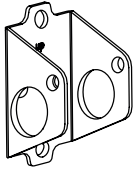
Note: If installing operators on two doors in the same garage, Photo Eyes should be aligned as below:



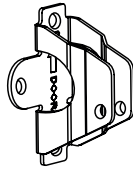
Repair Parts

Installation Parts

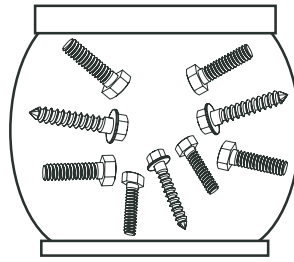
1



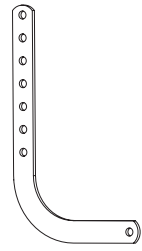
2



3



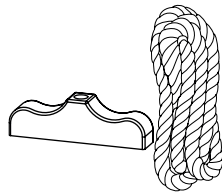
4



5



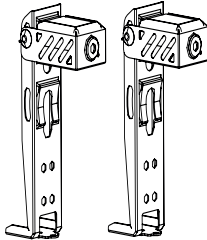
6



Part number		Name/Description
1	GUAT-027	Header Bracket
2	GUAT-022	Door Bracket
3	GUAT-023	Hardware Bag
4	GUAT-024	Curved Door Arm
5	GUAT-025	Straight Door Arm
6	GUAT-026	Emergency Release Handle & Rope

Accessories

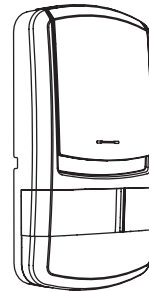
1



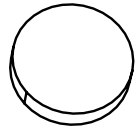
2



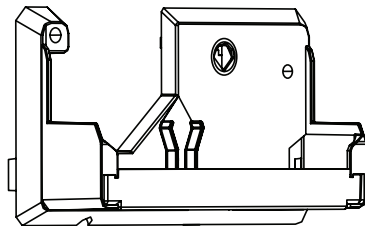
3



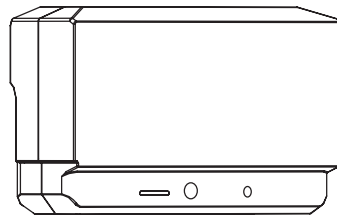
4



5

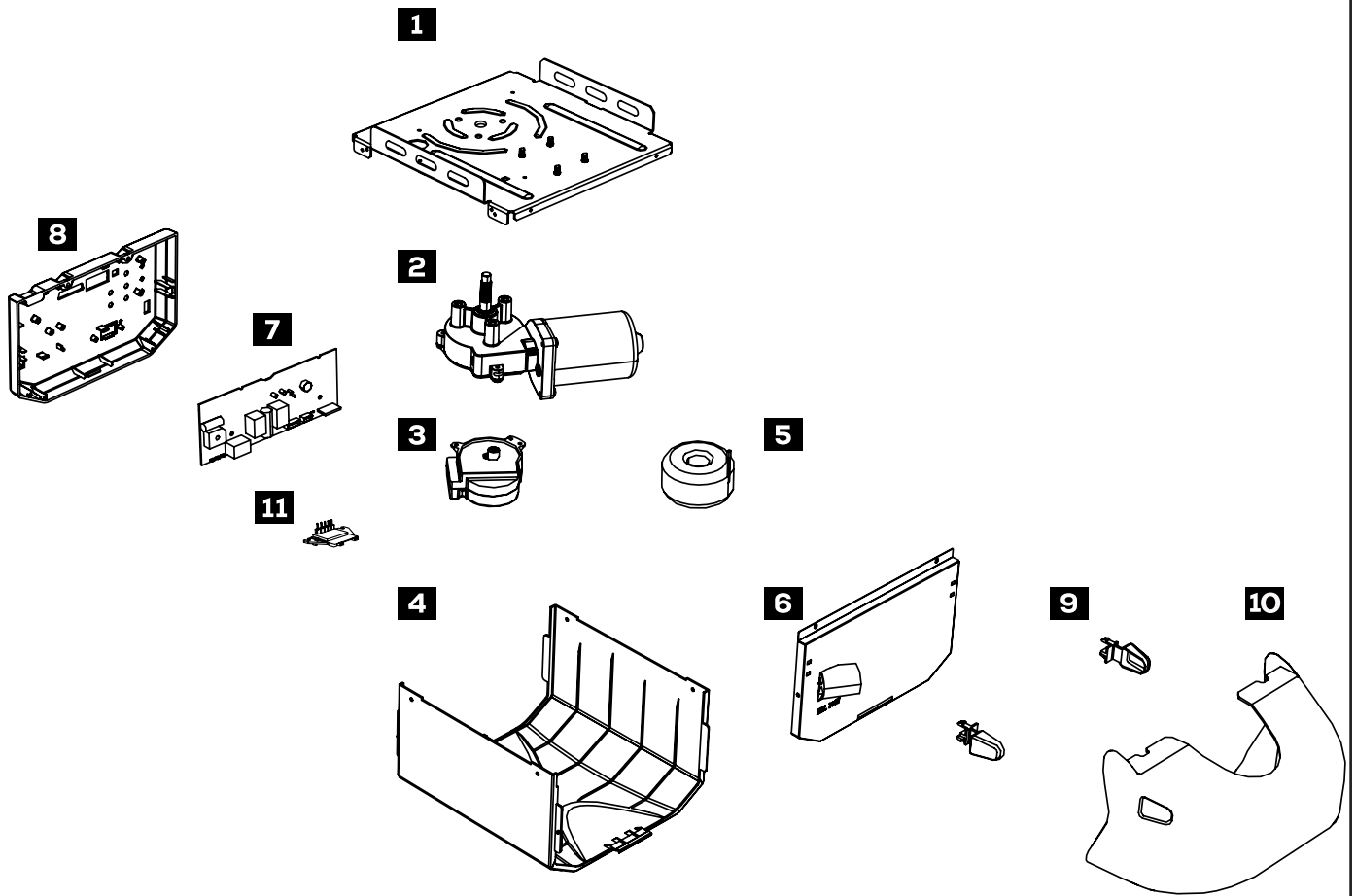


6



Part number		Name/Description
1	GUAT-201	Photo Eyes
2	D2B	Remote Control
3	3-FDCC	Deluxe Door Control Console
4	CR2032	Remote Control Battery (CR2032)
5	GUDT-319S	Battery Holster
6	STDBBU	Standard Battery Backup, 2Ah

Opener Assembly Parts



Part number	Name/ Description
1	GUDT-301 Chassis
2	GUDT-323 DC Motor (with encoder shaft)
3	GUDT-314 Encoder Module
4	GUDT-403 Opener Cover
5	GUDT-321 Transformer
6	GUDT-309 Lamp Plate
7	GUDT-404 Logic Board
8	GUDT-405 Back Panel (Holster-mount)
9	GUDT-311W Light Lens Clip
10	GUDT-310 Light Lens
11	GUDT-361A Motion Sensor

Warranty

Manufacturer hereby warrants to the original purchaser, for initial residence in which it is installed:

1. For residential applications only, Garage Door Operators to be free from defects in material and workmanship for a period of one (1) year from date of purchase. The motor is to be free from defects in materials and workmanship for 5 years. Battery backup and accessories are to be free from defects in materials and workmanship for a period of (1) one year from date of purchase. If installed in a light-duty commercial application the operator to be free of defects and workmanship for a period of 90 days.
2. Where the garage door operator has need to be returned to the Manufacturer for Warranty repairs, all costs incurred in the return will be paid for by the purchaser. Call 1-424-272-6998 prior to dismantling the product. If in the opinion of the Manufacturer the product is faulty, all defective parts will be replaced at no charge to the purchaser.
3. Proof of purchase must be given to the Manufacturer at time of Warranty claim.
4. The Manufacturer reserves the right to modify any existing or future products without incurring any obligation to incorporate such modification to products already manufactured or to which this Warranty may relate.
5. Warranty only applies if this product has been installed, tested, operated, and maintained per the Manufacturer's instructions. Failure to comply with instructions will void the warranty in its entirety.
6. This Warranty does not apply to any defect (including defects in component parts or accessories), loss or damage arising or caused directly or indirectly by or as a result of:
 - (i) The failure to carry out normal preventive maintenance or adjustment itself
 - (ii) Any additional damage or deterioration arising from attributable to the operation of the Operator after it is known to be defective
7. Not included in Warranty:
 - (i) Batteries
 - (ii) Fuses
 - (iii) Sensitivity adjustment
 - (iv) Handheld Remote Controls and receiver range
8. Note: All Warranties will be void subject to:
 - (i) Water damage and condensation
 - (ii) Power supply black out or surge
 - (iii) Act of God
 - (iv) Modification or adjustment by unauthorized persons
 - (v) Any interference from radio (including citizen band radios or and other electronic device)
 - (vi) Preventative maintenance and regular servicing not undertaken
 - (vii) Account not paid in full by the purchaser
9. Subject only to the provisions of the Trade Practices Act and any legislation of the State or Territory wherein the operators of the Manufacturer have been sold or installed (which may confer certain rights on consumers of goods and those rights by such legislation may be rendered incapable of exclusion) this Warranty supersedes and excludes all representations, warranties and conditions whether expressed or implied by law and the Manufacturer shall have no liability or otherwise than herein provided for any loss and damage (including consequential loss and damage, loss of use or profits) by reasons of delay, defective or faulty materials or workmanship, negligence or any act, matter or thing done permitted or omitted to be done by the Manufacturer.

Warranty

THIS WARRANTY FORM SHOULD BE COMPLETED AT TIME OF INSTALLATION

This Warranty Form should be retained by the purchaser at all times and produced with the purchase docket by the Purchaser as proof of the purchase date _____

PURCHASER'S NAME: _____

PURCHASER'S ADDRESS: _____

INSTALLED BY: _____

SERIAL NUMBER OF THE OPERATOR: _____

Guardian Service

Your operator has been installed by a professional installation specialist. If service information is required please contact the installing company or your local Guardian dealer. Look for your Guardian dealer on line, in the yellow pages or call our service number for a dealer near you.

Guardian Technical Service: 1-424-272-6998

Please have the following information when you call:

- Model number of the operator.
- Serial number of the operator located on the label on the top of the opener.